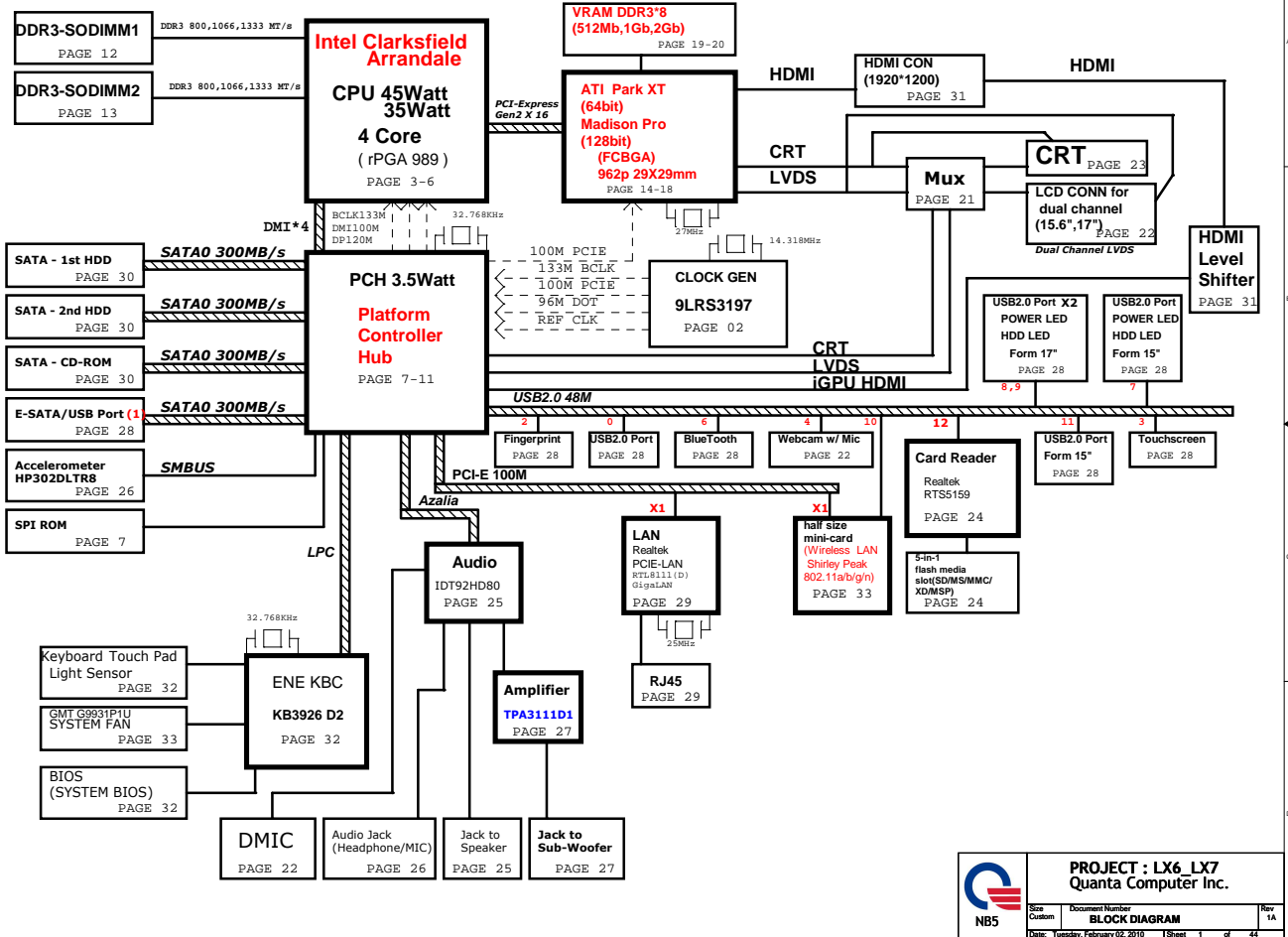



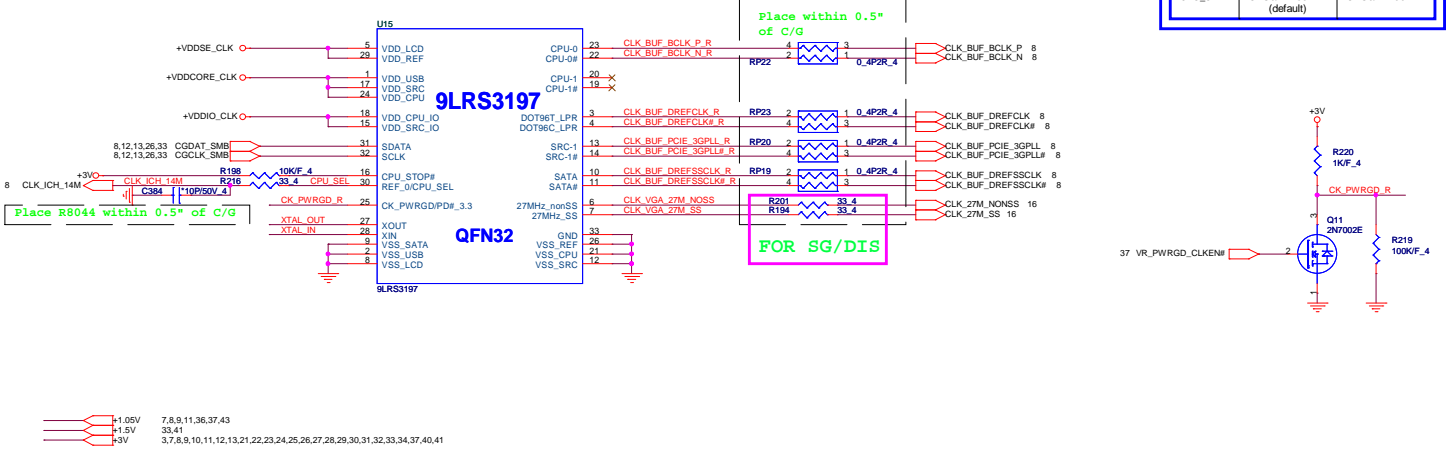
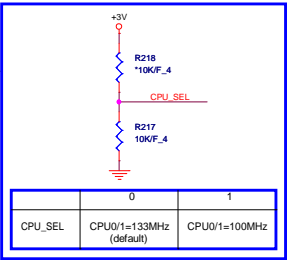
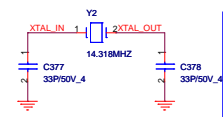
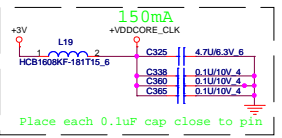
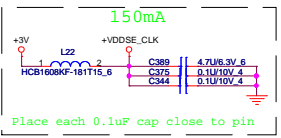
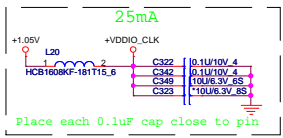
LX6/7 (Liverpool) BLOCK DIAGRAM

PCB STACK UP
6L Dis.

LAYER 1 : TOP
 LAYER 2 : SGND
 LAYER 3 : IN1(High)
 LAYER 4 : IN2(Low)
 LAYER 5 : SVCC
 LAYER 6 : BOT

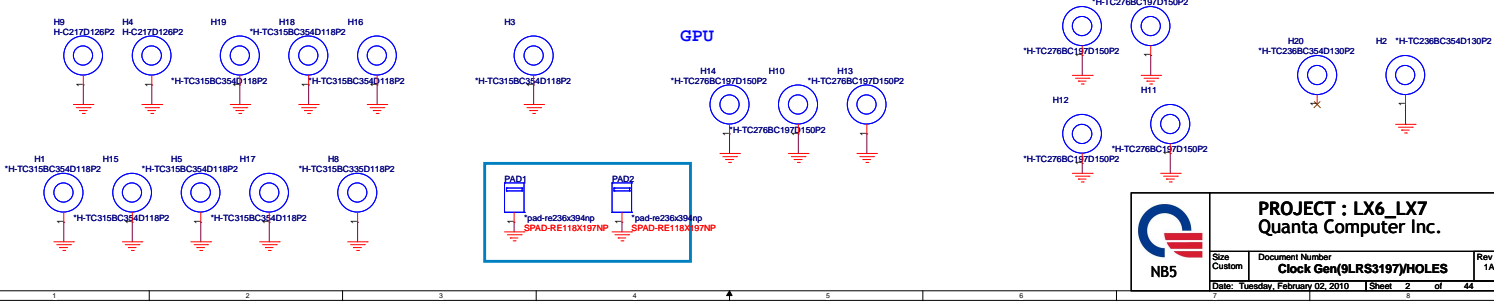


	PROJECT : LX6_LX7 Quanta Computer Inc.	
	Doc: Tuesday, February 03, 2010	Rev: 1A
	Sheet: 1 of 44	

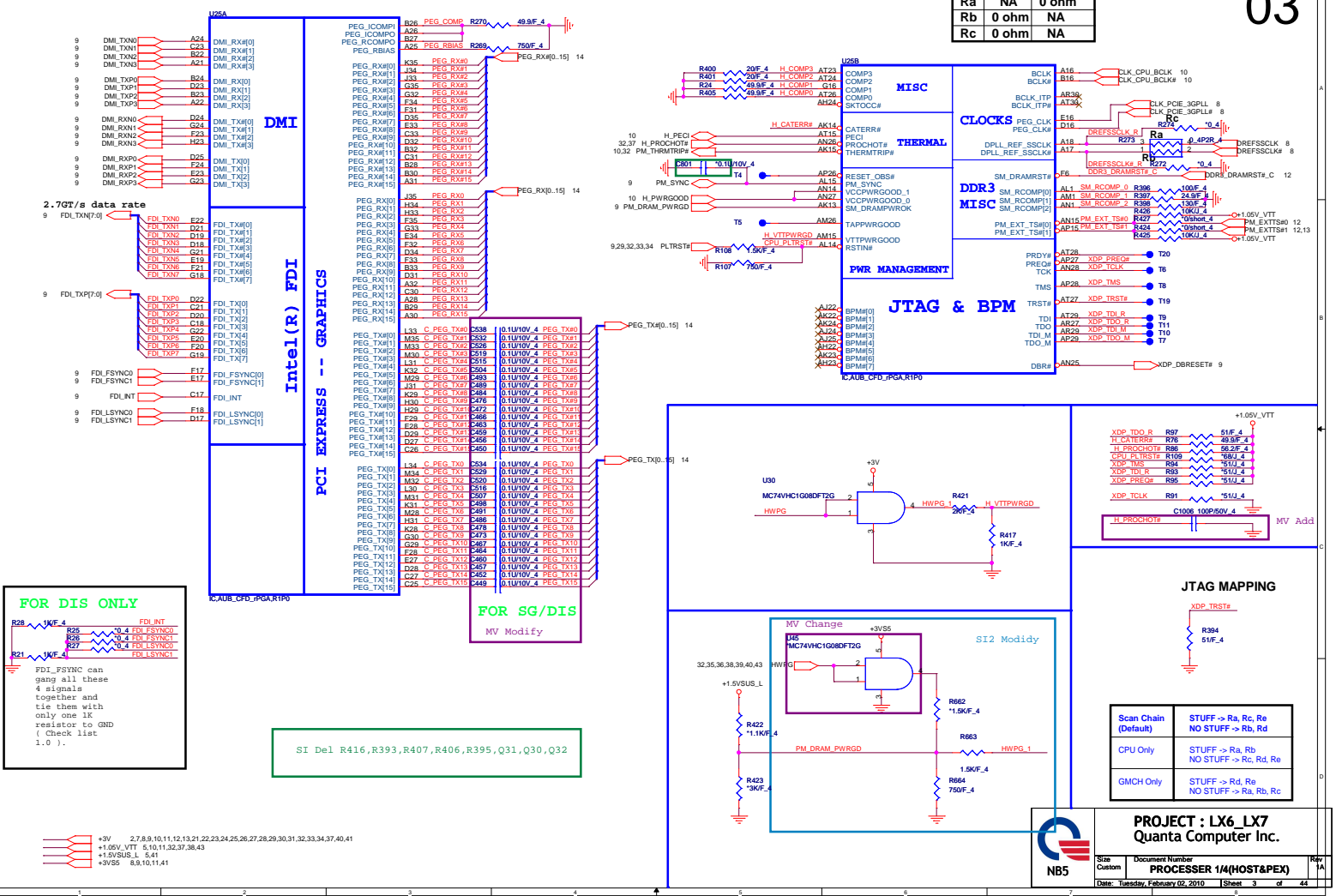


+1.05V	7,8,9,11,36,37,43
+1.5V	33,41
+3V	3,7,8,9,10,11,12,13,21,22,23,24,25,26,27,28,29,30,31,32,33,34,37,40,41

HOLE



Ra	DIS	0 ohm
Rb	NA	0 ohm
Rc	0 ohm	NA



FOR DIS ONLY

R28 1K6_F_4
R25 10K_F_4
R26 10K_F_4
R27 10K_F_4

R21 1K6_F_4

FDI_FSYNC can gang all these 4 signals together and tie them with only one 1K resistor to GND (Check list 1.0).

FOR SG/DIS

MV Modify

SI Del R416, R393, R407, R406, R395, Q31, Q30, Q32

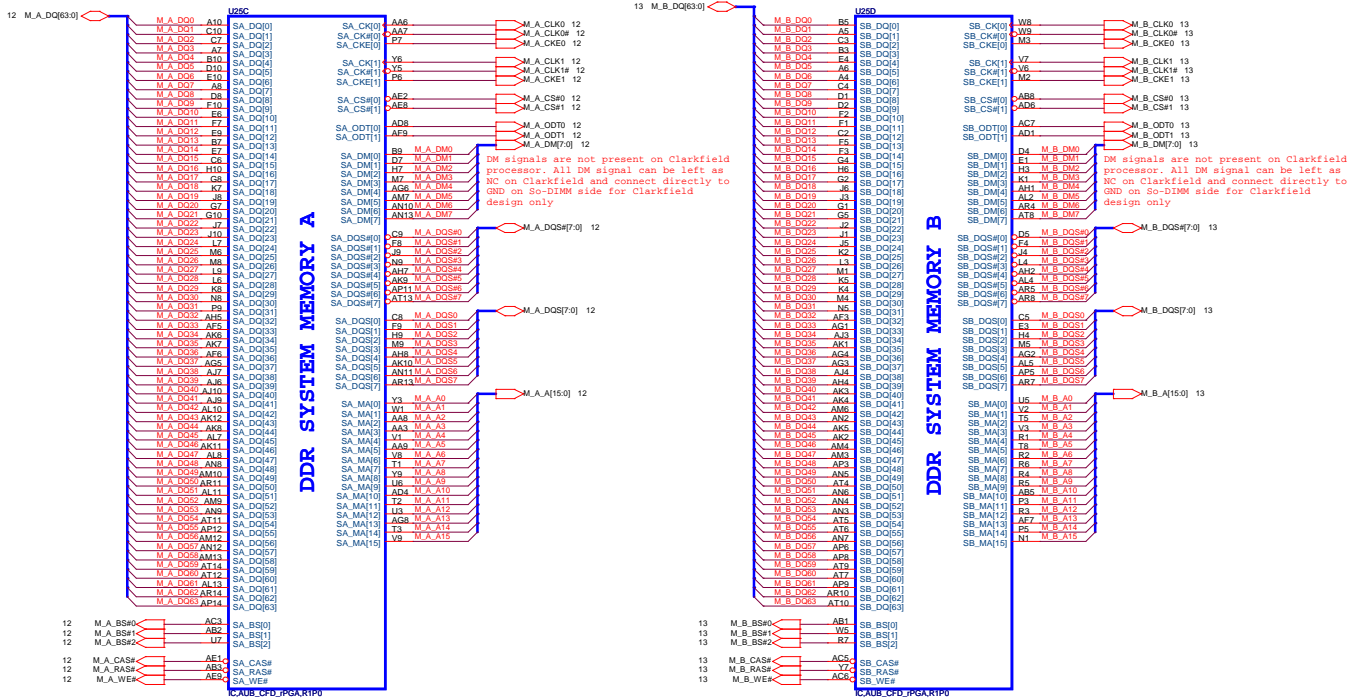
- +3V 2,7,8,9,10,11,12,13,21,22,23,24,25,26,27,28,29,30,31,32,33,34,37,40,41
- +1.05V_VTT 5,10,11,32,37,38,43
- +1.5VSUS_L 5,41
- +3VS5 8,9,10,11,41

Scan Chain	STUFF -> Ra, Rc, Re NO STUFF -> Rb, Rd
CPU Only	STUFF -> Ra, Rb NO STUFF -> Rc, Rd, Re
GMCH Only	STUFF -> Rd, Re NO STUFF -> Ra, Rb, Rc

PROJECT : LX6 LX7
Quanta Computer Inc.

Sta Custom	Document Number	PROCESOR 1M(HOST&PEX)	Rev	A
Date: Tuesday, February 02, 2010		Sheet	3	of 44

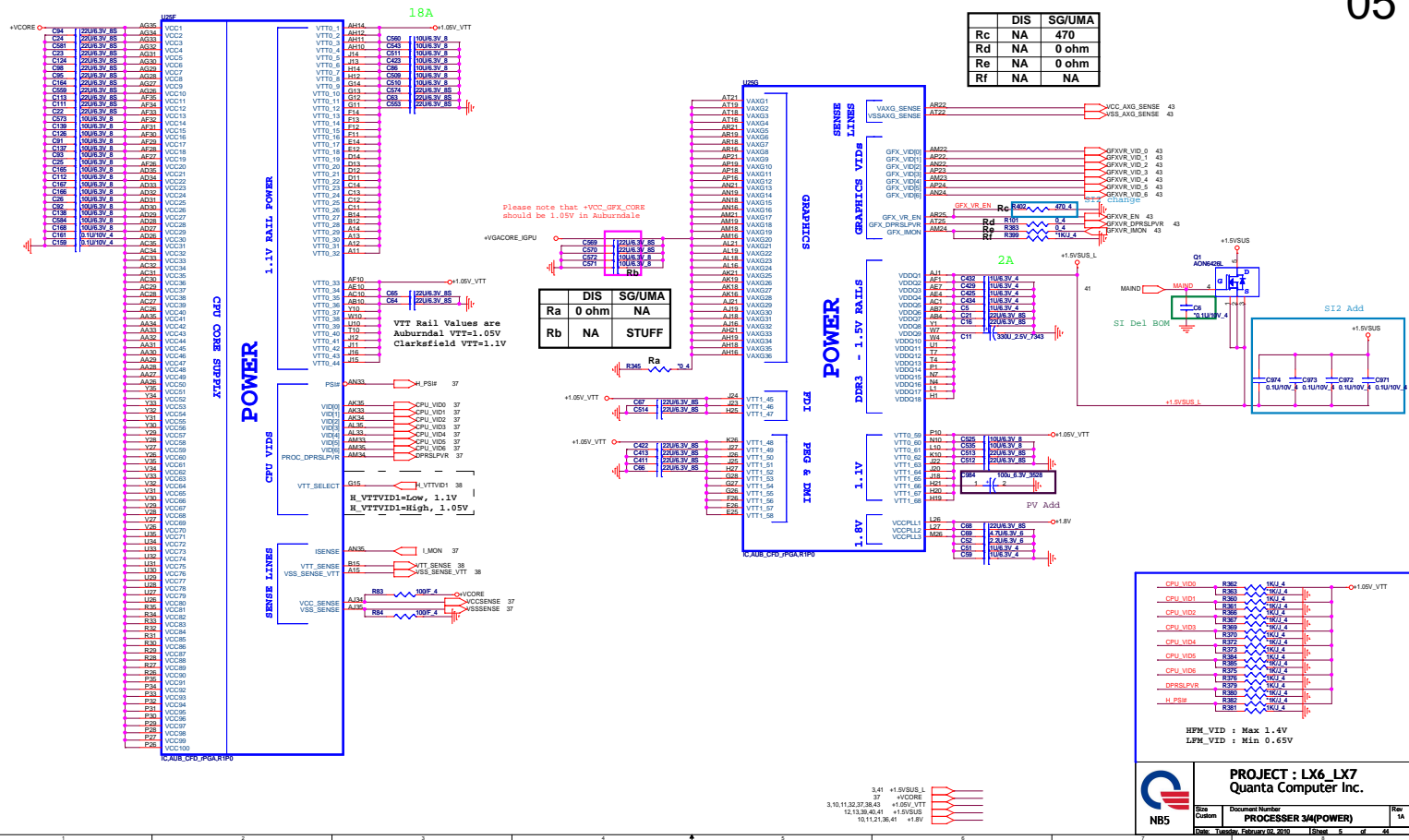
AUBURNDALE/CLARKSFIELD PROCESSOR (DDR3)



PROJECT : LX6_LX7
Quanta Computer Inc.

Size: Custom
 Document Number: **PROCESSOR 24(DDR)**
 Date: Tuesday, February 02, 2010 | Sheet 4 of 44

Rev: 1A



DIS	SG/UMA
Rc	NA
Rd	NA
Re	NA
Rf	NA

Ra	DIS	SG/UMA
Rb	NA	STUFF

CPU VDD	E362	JKU 4	0.105V_VTT
CPU VDD1	E363	JKU 4	
CPU VDD2	E364	JKU 4	
CPU VDD3	E365	JKU 4	
CPU VDD4	E366	JKU 4	
CPU VDD5	E367	JKU 4	
CPU VDD6	E368	JKU 4	
CPU VDD7	E369	JKU 4	
CPU VDD8	E370	JKU 4	
CPU VDD9	E371	JKU 4	
CPU VDD10	E372	JKU 4	
CPU VDD11	E373	JKU 4	
CPU VDD12	E374	JKU 4	
CPU VDD13	E375	JKU 4	
CPU VDD14	E376	JKU 4	
CPU VDD15	E377	JKU 4	
CPU VDD16	E378	JKU 4	
CPU VDD17	E379	JKU 4	
CPU VDD18	E380	JKU 4	
CPU VDD19	E381	JKU 4	
CPU VDD20	E382	JKU 4	
CPU VDD21	E383	JKU 4	
CPU VDD22	E384	JKU 4	
CPU VDD23	E385	JKU 4	
CPU VDD24	E386	JKU 4	
CPU VDD25	E387	JKU 4	
CPU VDD26	E388	JKU 4	
CPU VDD27	E389	JKU 4	
CPU VDD28	E390	JKU 4	
CPU VDD29	E391	JKU 4	
CPU VDD30	E392	JKU 4	
CPU VDD31	E393	JKU 4	
CPU VDD32	E394	JKU 4	
CPU VDD33	E395	JKU 4	
CPU VDD34	E396	JKU 4	
CPU VDD35	E397	JKU 4	
CPU VDD36	E398	JKU 4	
CPU VDD37	E399	JKU 4	
CPU VDD38	E400	JKU 4	
CPU VDD39	E401	JKU 4	
CPU VDD40	E402	JKU 4	
CPU VDD41	E403	JKU 4	
CPU VDD42	E404	JKU 4	
CPU VDD43	E405	JKU 4	
CPU VDD44	E406	JKU 4	
CPU VDD45	E407	JKU 4	
CPU VDD46	E408	JKU 4	
CPU VDD47	E409	JKU 4	
CPU VDD48	E410	JKU 4	
CPU VDD49	E411	JKU 4	
CPU VDD50	E412	JKU 4	
CPU VDD51	E413	JKU 4	
CPU VDD52	E414	JKU 4	
CPU VDD53	E415	JKU 4	
CPU VDD54	E416	JKU 4	
CPU VDD55	E417	JKU 4	
CPU VDD56	E418	JKU 4	
CPU VDD57	E419	JKU 4	
CPU VDD58	E420	JKU 4	
CPU VDD59	E421	JKU 4	
CPU VDD60	E422	JKU 4	
CPU VDD61	E423	JKU 4	
CPU VDD62	E424	JKU 4	
CPU VDD63	E425	JKU 4	
CPU VDD64	E426	JKU 4	
CPU VDD65	E427	JKU 4	
CPU VDD66	E428	JKU 4	
CPU VDD67	E429	JKU 4	
CPU VDD68	E430	JKU 4	
CPU VDD69	E431	JKU 4	
CPU VDD70	E432	JKU 4	
CPU VDD71	E433	JKU 4	
CPU VDD72	E434	JKU 4	
CPU VDD73	E435	JKU 4	
CPU VDD74	E436	JKU 4	
CPU VDD75	E437	JKU 4	
CPU VDD76	E438	JKU 4	
CPU VDD77	E439	JKU 4	
CPU VDD78	E440	JKU 4	
CPU VDD79	E441	JKU 4	
CPU VDD80	E442	JKU 4	
CPU VDD81	E443	JKU 4	
CPU VDD82	E444	JKU 4	
CPU VDD83	E445	JKU 4	
CPU VDD84	E446	JKU 4	
CPU VDD85	E447	JKU 4	
CPU VDD86	E448	JKU 4	
CPU VDD87	E449	JKU 4	
CPU VDD88	E450	JKU 4	
CPU VDD89	E451	JKU 4	
CPU VDD90	E452	JKU 4	
CPU VDD91	E453	JKU 4	
CPU VDD92	E454	JKU 4	
CPU VDD93	E455	JKU 4	
CPU VDD94	E456	JKU 4	
CPU VDD95	E457	JKU 4	
CPU VDD96	E458	JKU 4	
CPU VDD97	E459	JKU 4	
CPU VDD98	E460	JKU 4	
CPU VDD99	E461	JKU 4	
CPU VDD100	E462	JKU 4	

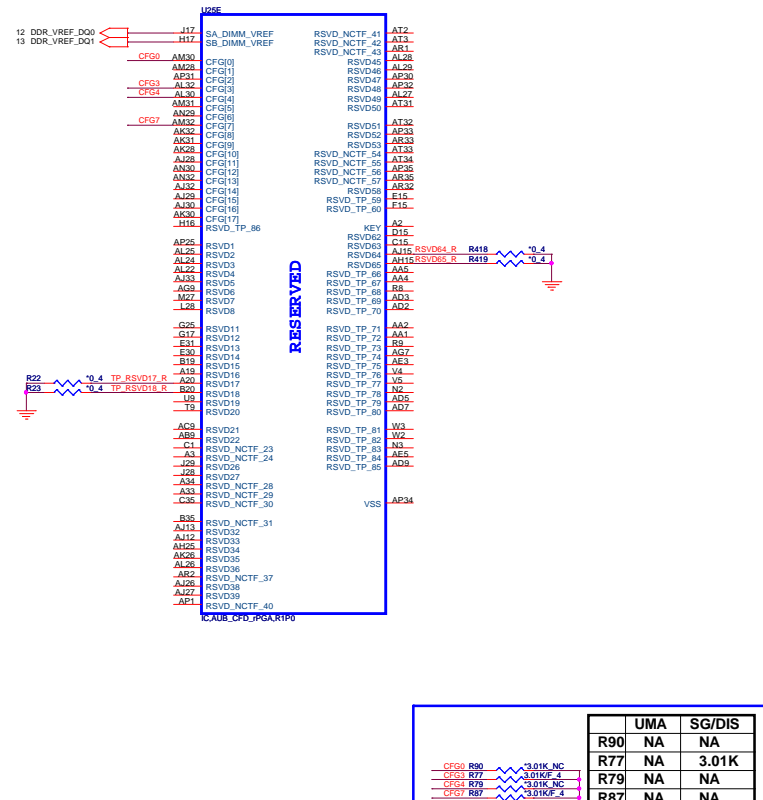
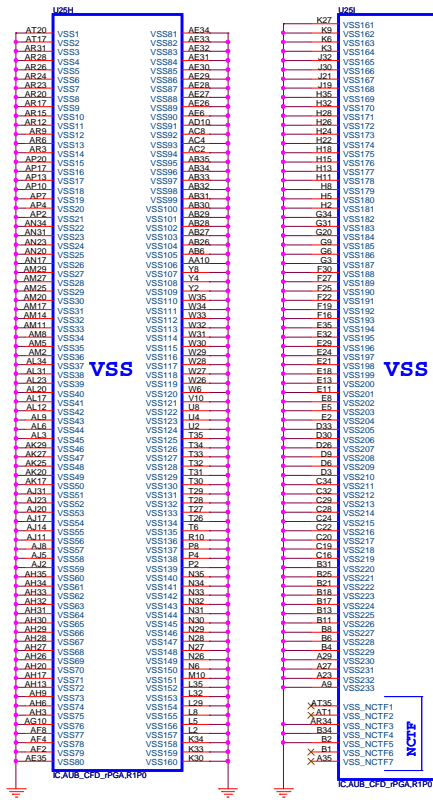
HFM_VID : Max 1.4V
LPM_VID : Min 0.65V

PROJECT : LX6 LX7
Quanta Computer Inc.

Size Custom Document Number **PROCESSOR 3M(POWER)** Rev 1A
Date: Tuesday, February 02, 2010 10:28:41 AM Page 5 of 41

AUBURDALE/CLARKSFIELD PROCESSOR (GND)

AUBURDALE/CLARKSFIELD PROCESSOR (RESERVED, CFG)



The Clarkfield processor's PCI Express interface may not meet PCI Express 2.0 jitter specifications. Intel recommends placing a 3.01K +/- 5% pull down resistor to VSS on CFG[7] pin for both vPGA and BGA components. This pull down resistor should be removed when this issue is fixed.

	1	0
CFG4 (Display Port Presence)	Disabled; No Physical Display Port attached to Embedded Display Port	Enabled; An external Display port device is connected to the Embedded Display port
CFG0 (PCI-Epress Configuration Select)	Single PEG	Bifurcation enabled
CFG3 (PCI-Epress Static Lane Reversal)	Normal Operation	Lane Numbers Reversed 15 -> 0, 14 -> 1

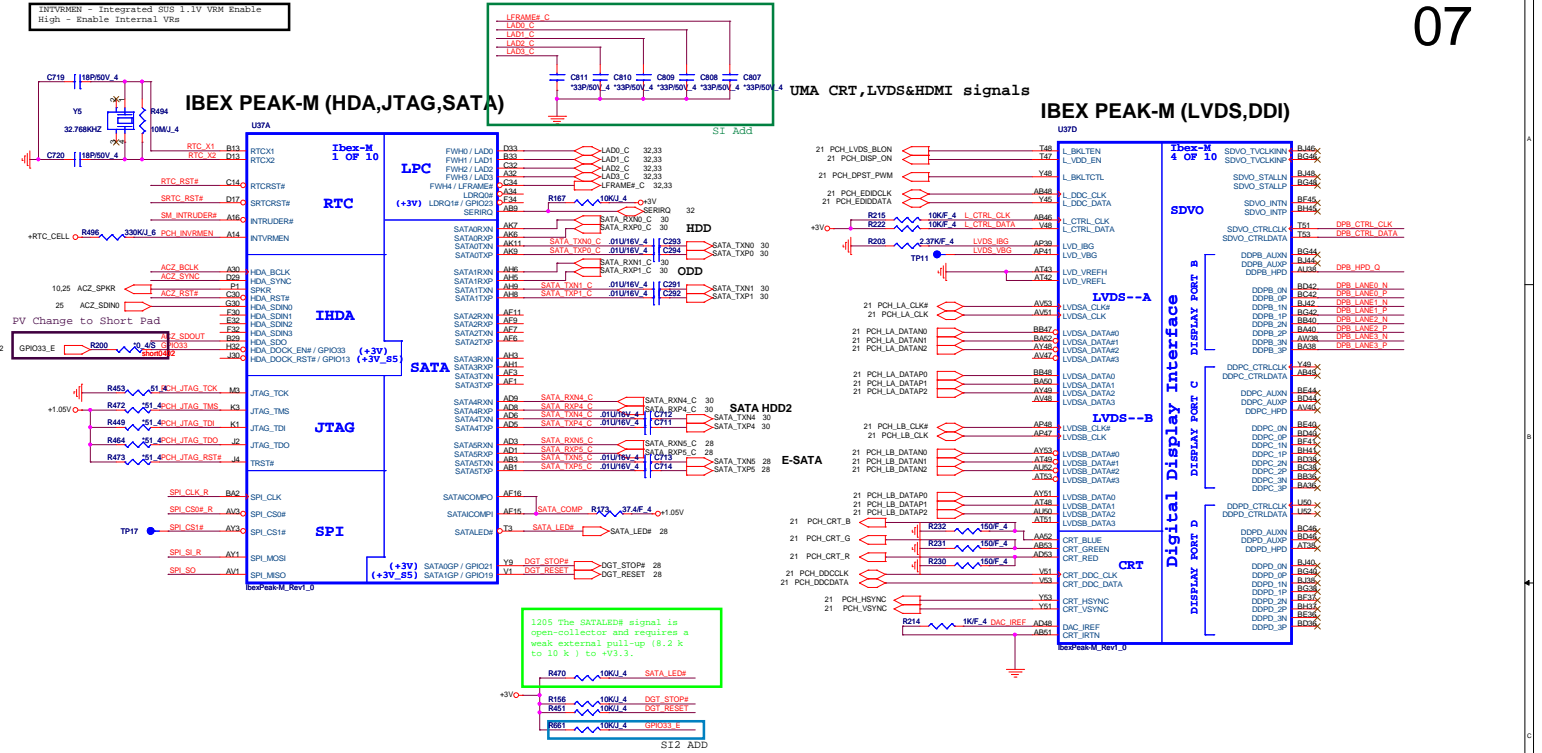
	UMA	SG/DIS
R90	NA	NA
R77	NA	3.01K
R79	NA	NA
R87	NA	NA

CFG[1:0] - PCI_Epress Configuration Select
 * 11 = 1 x 16 PEG
 * 10 = 2 x 8 PEG

PROJECT : LX6 LX7
Quanta Computer Inc.

NB5
 Size Custom Document Number **PROCESSOR 4/4 (GND)** Rev 1A
 Date: Tuesday, February 02, 2010 Sheet 6 of 44

INTRVMEN - Integrated SUS 1.1V VSM Enable
High - Enable Internal VRs



1.205 V_{BE} SATELED# signal is open-collector and requires a weak external pull-up (8.2 k to 10 k) to +V3.3.

R470 100K 4 SATE LED#

R156 100K 4 DGT_STOP#

R461 100K 4 DGT_RESET

R461 100K 4 GPO33_E

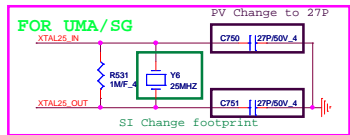
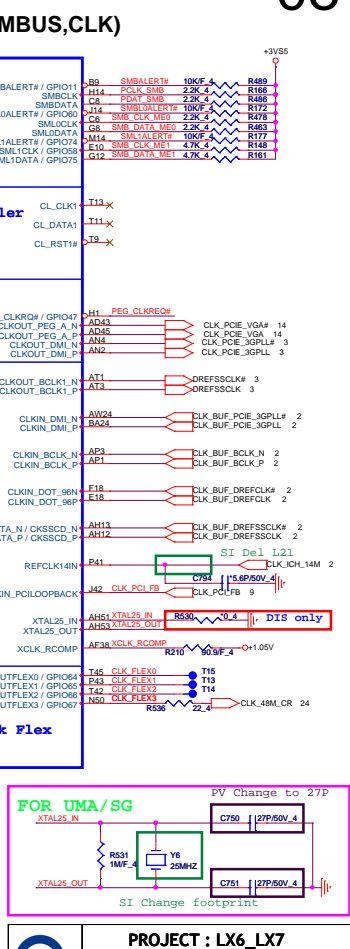
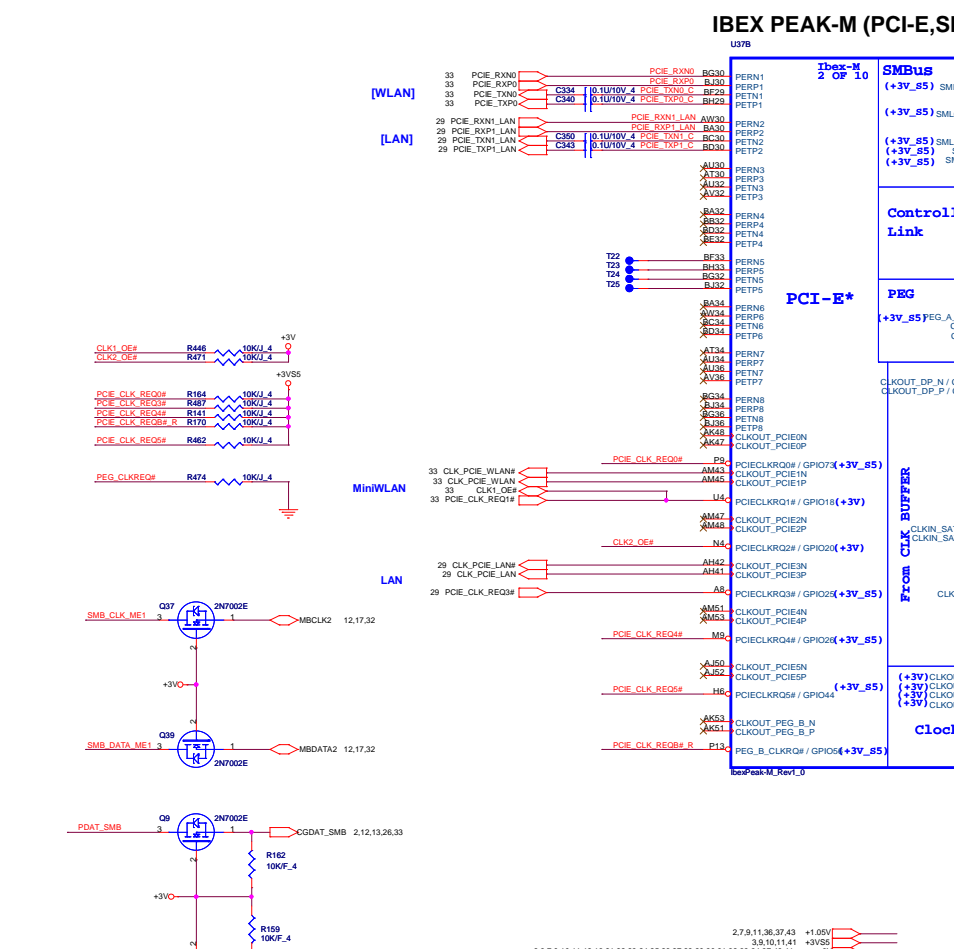
ST2 ADD

PROJECT : LX6_LX7
Quanta Computer Inc.

Rev	Document Number	Rev
Custom	PCH 1/5 (SATA,HDA,LPC)	1A
Date	Yusuf, February 02, 2010	Sheet
		of
		44

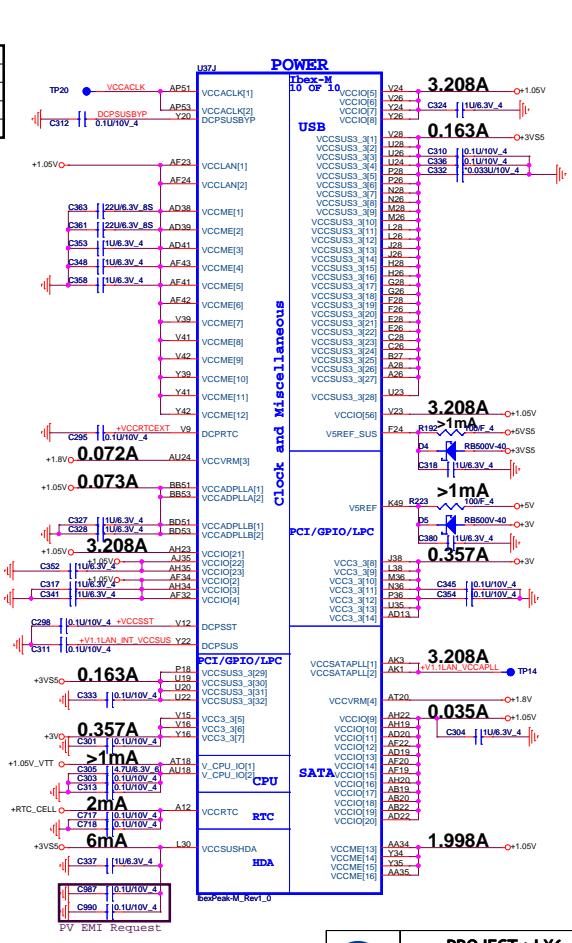
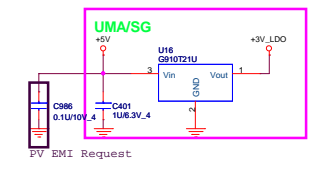
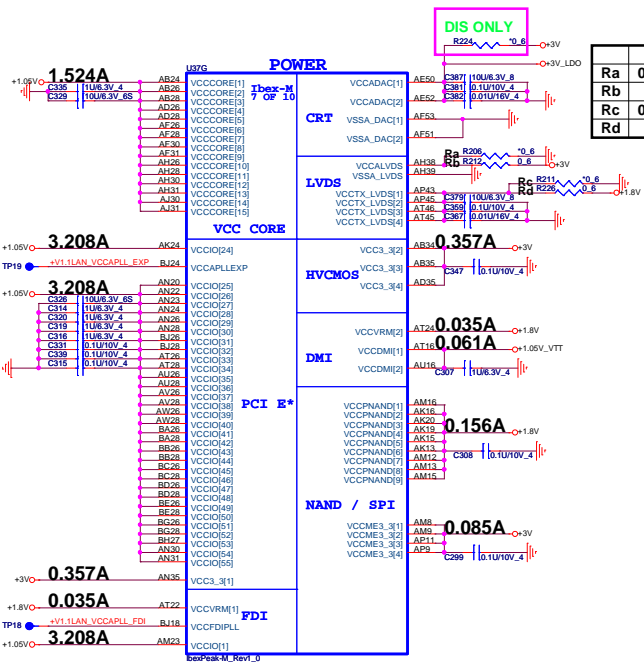
IBEX PEAK-M (PCI-E,SMBUS,CLK)

Pin list table with columns for pin number, pin name, and internal connection points.



PROJECT : LX6 LX7 Quanta Computer Inc. Includes a table with fields for Site, Document Number, Date, and Sheet number.

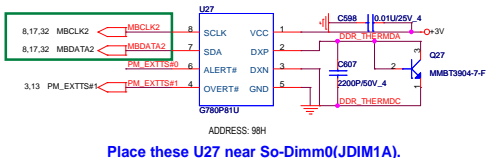
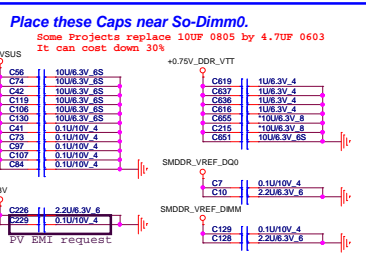
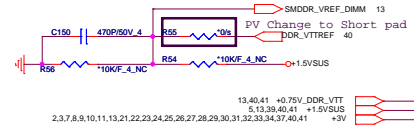
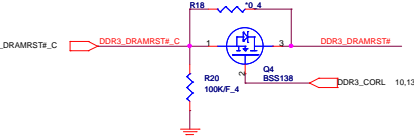
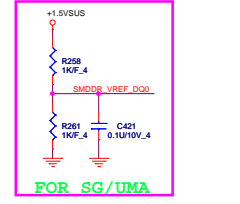
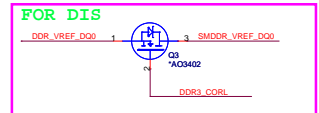
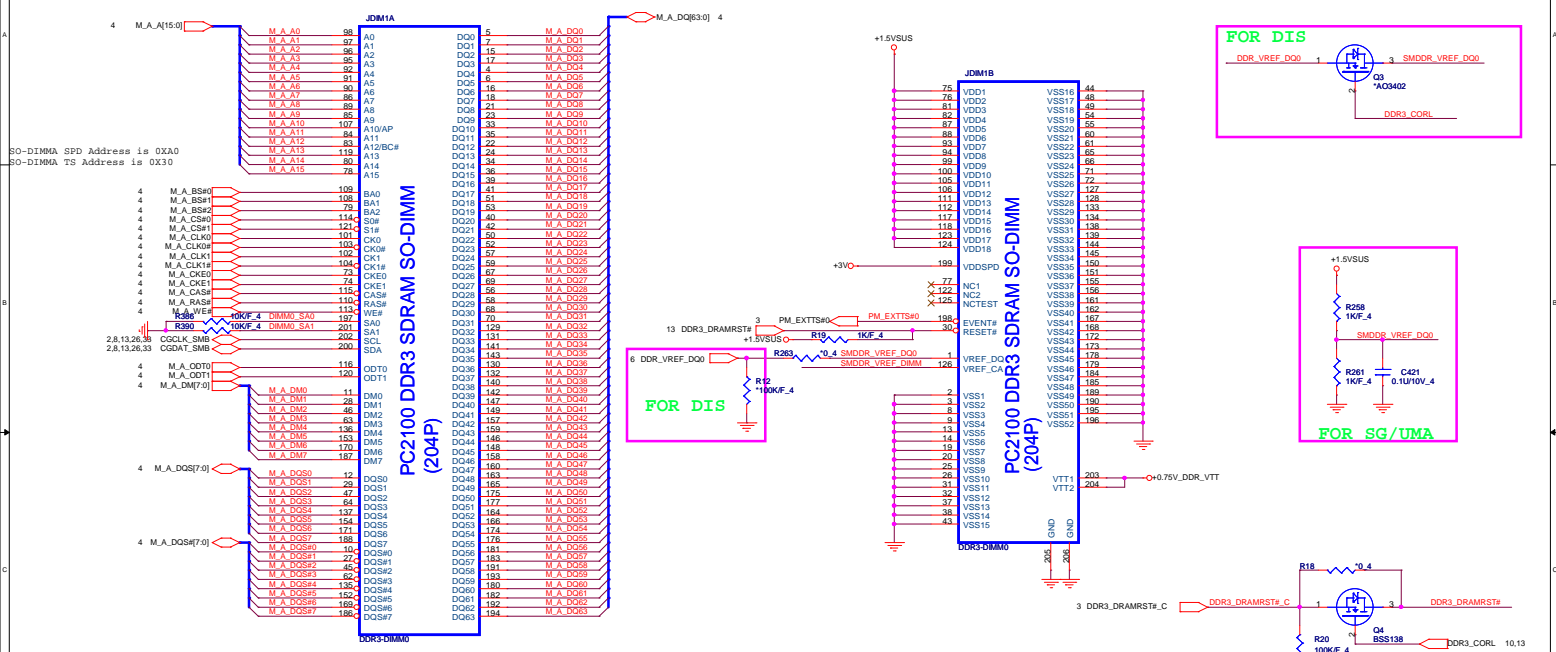
2.3,7,9,10,11,12,13,21,22,23,24,25,26,27,28,29,30,31,32,33,34,37,40,41



2,7,8,9,36,37,43 +1.05V
 3,5,10,32,37,38,43 +1.05V_VTT
 5,10,21,36,41 +1.8V
 2,3,7,8,9,10,12,13,21,22,23,24,25,26,27,28,29,30,31,32,33,34,37,40,41 +3V
 41 +3.0,10,41 +5V
 21,22,23,25,26,28,30,31,33,34,41 +5V
 41 +5V
 7 +RTC_CELL

PROJECT : LX6_LX7
Quanta Computer Inc.

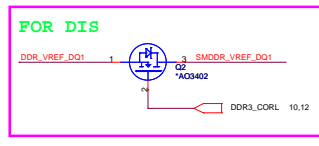
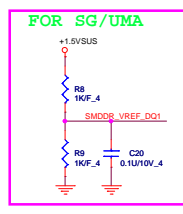
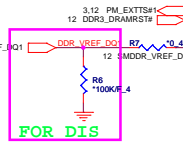
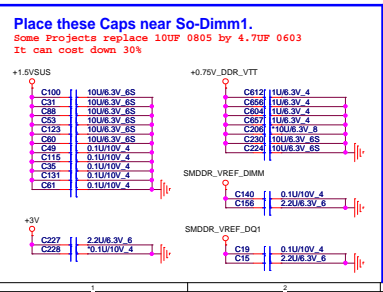
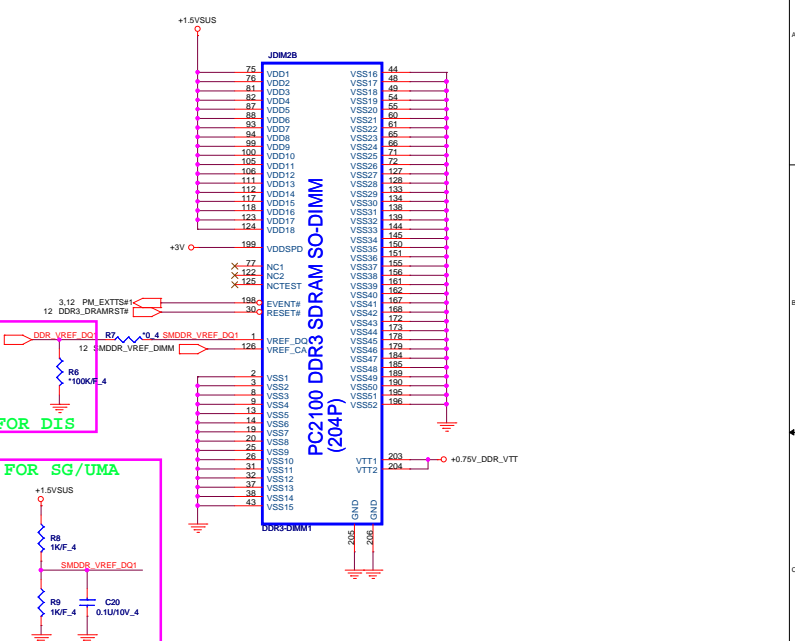
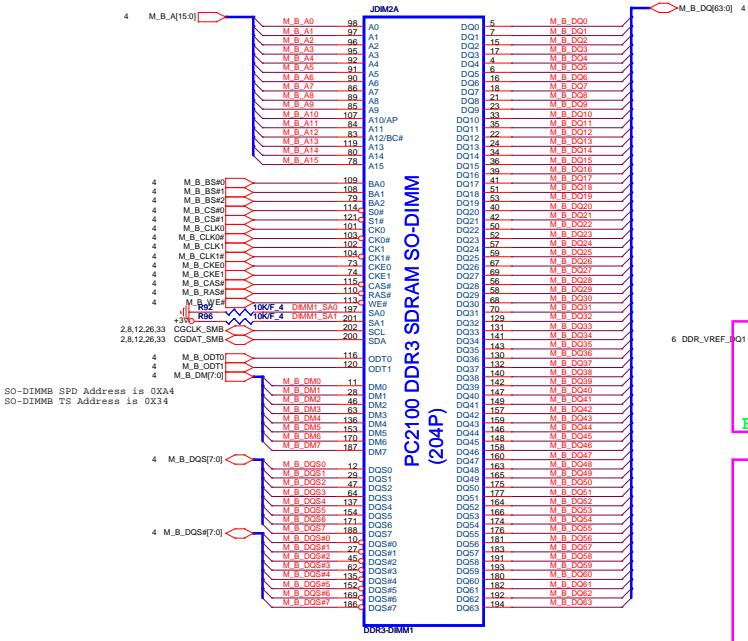
Size: Custom
 Document Number: **PCH S/S (POWER)**
 Date: Tuesday, February 02, 2010 | Sheet 11 of 44



Place these U27 near So-Dimm0(JDM1A).

PROJECT : LX6_LX7
Quanta Computer Inc.

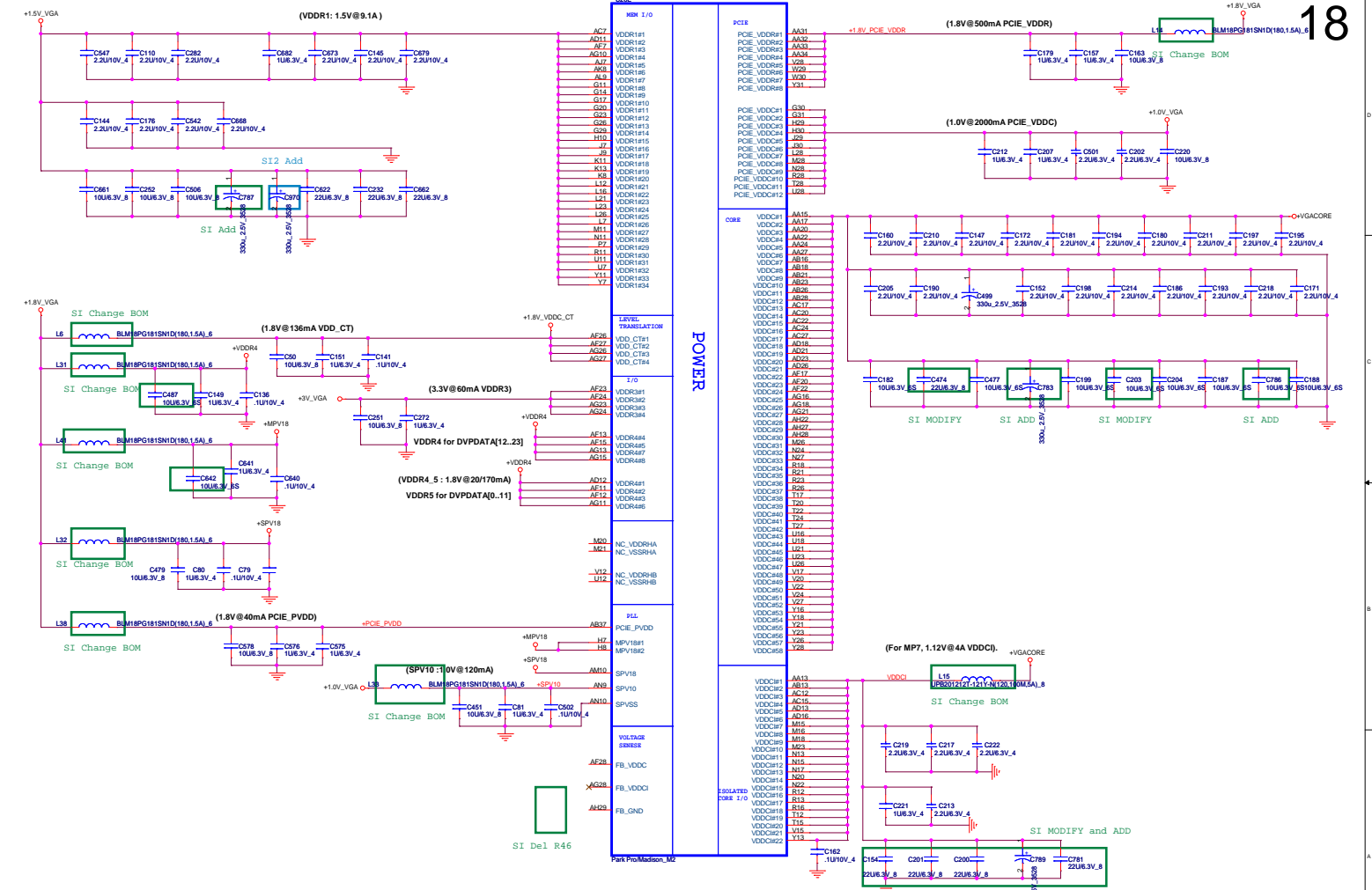
Size Custom	Document Number DDR3_DIMM-0	Rev 1A
Date: Tuesday, February 02, 2010 Sheet 12 of 44		



12.40.41 +0.75V_DDR_VTT
5.12.39-40.41 +1.5VSUS
2.3.7.8.9.10.11.12.21.22.23.24.25.26.27.28.29.30.31.32.33.34.37.40.41 +3V

PROJECT : LX6_LX7
Quanta Computer Inc.

Size Custom	Document Number DDR3 DIMM-1	Rev 1A
Date: Tuesday, February 02, 2010		Sheet 13 of 44

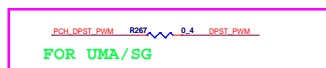
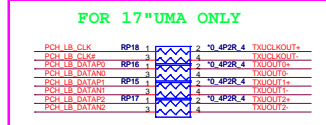
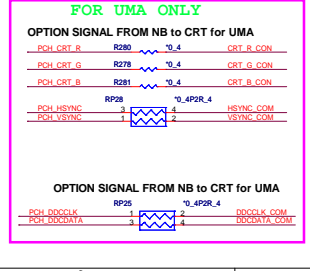
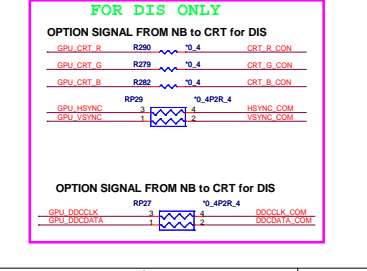
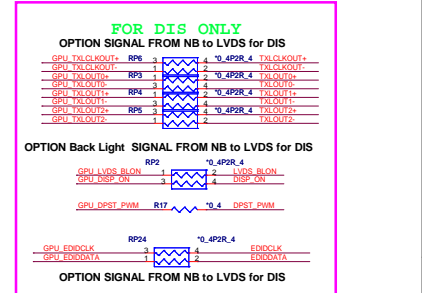
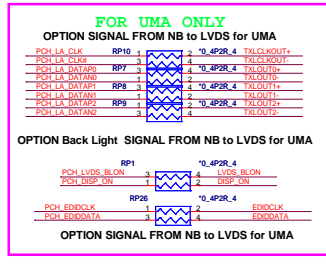
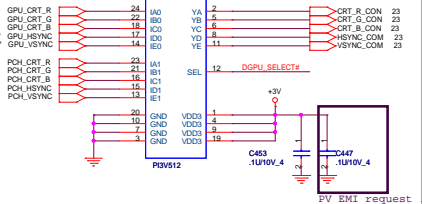
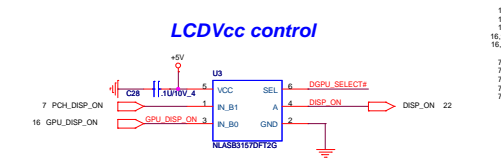
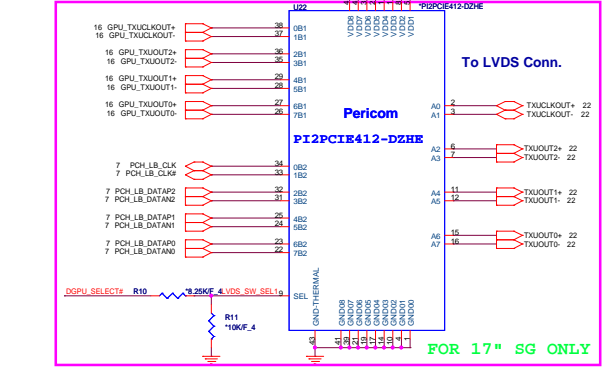
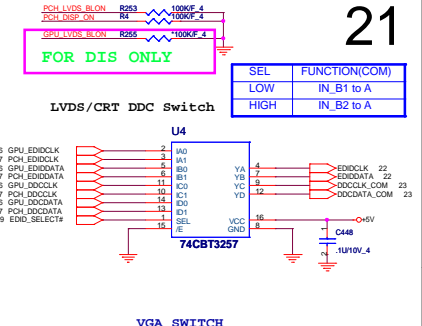
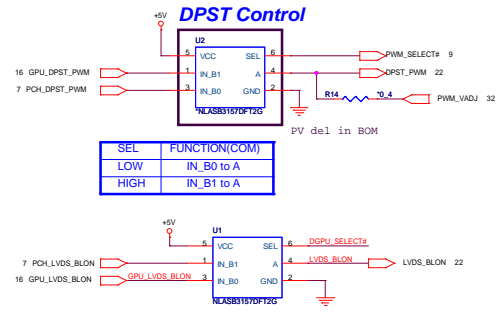
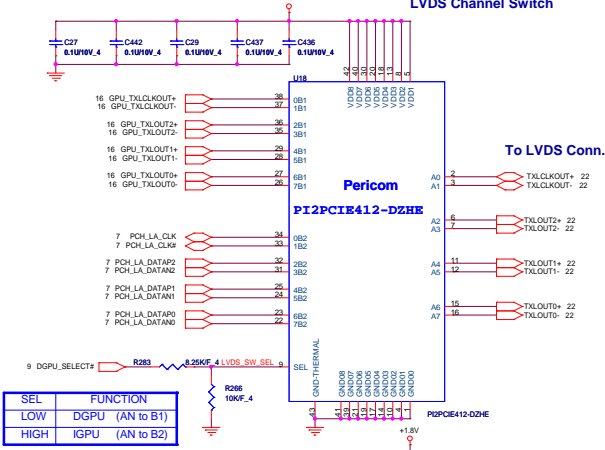


PROJECT : LX6_LX7
Quanta Computer Inc.

NB5

Doc Number: **ATI M97-M2 (POWER) 5/5**

Date: Tuesday, February 02, 2010 | Sheet 18 of 44



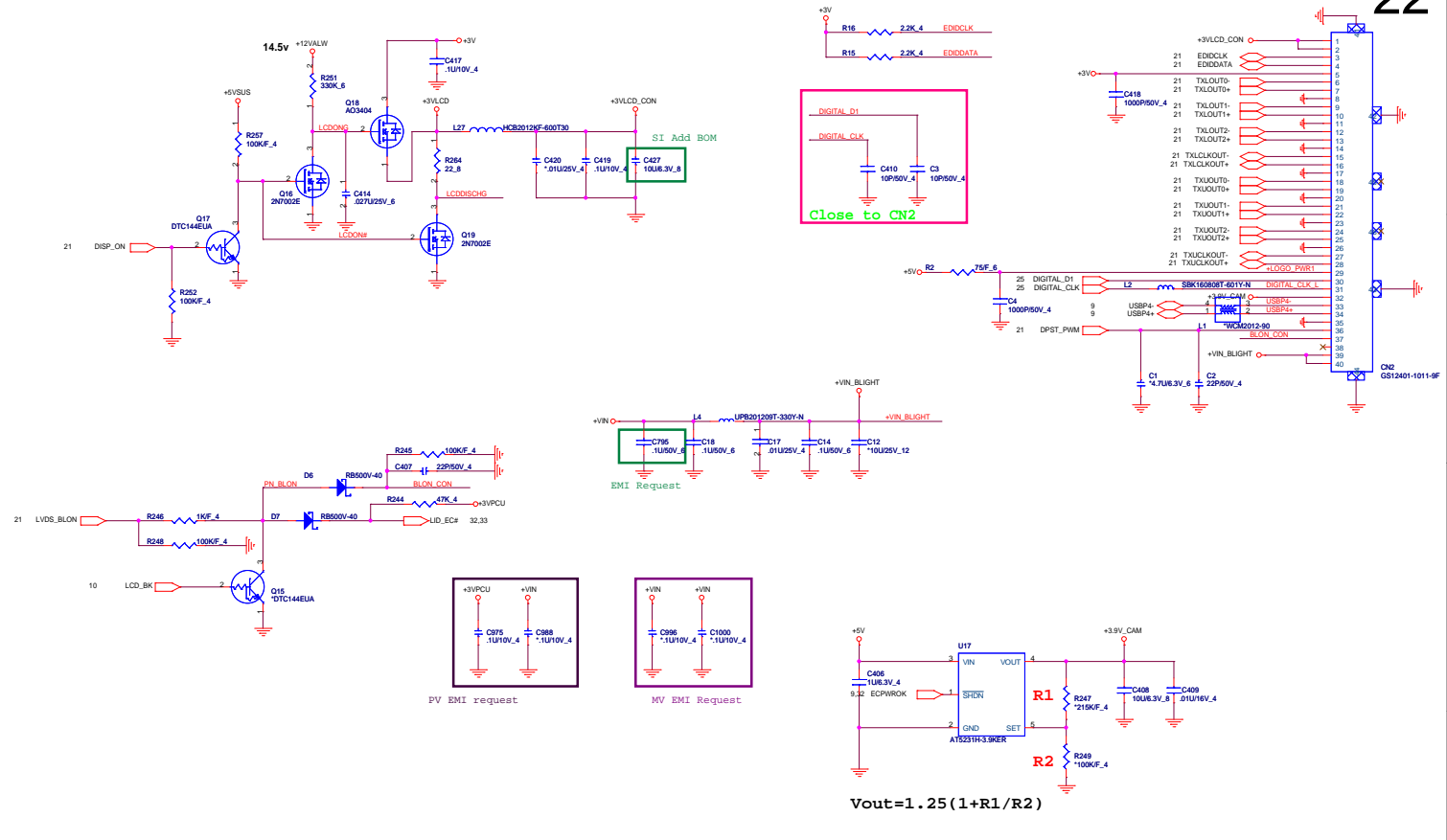
+3V
+5V
+1.8V

PROJECT : LX6_LX7
Quanta Computer Inc.

NB5 **SWITCHABLE**

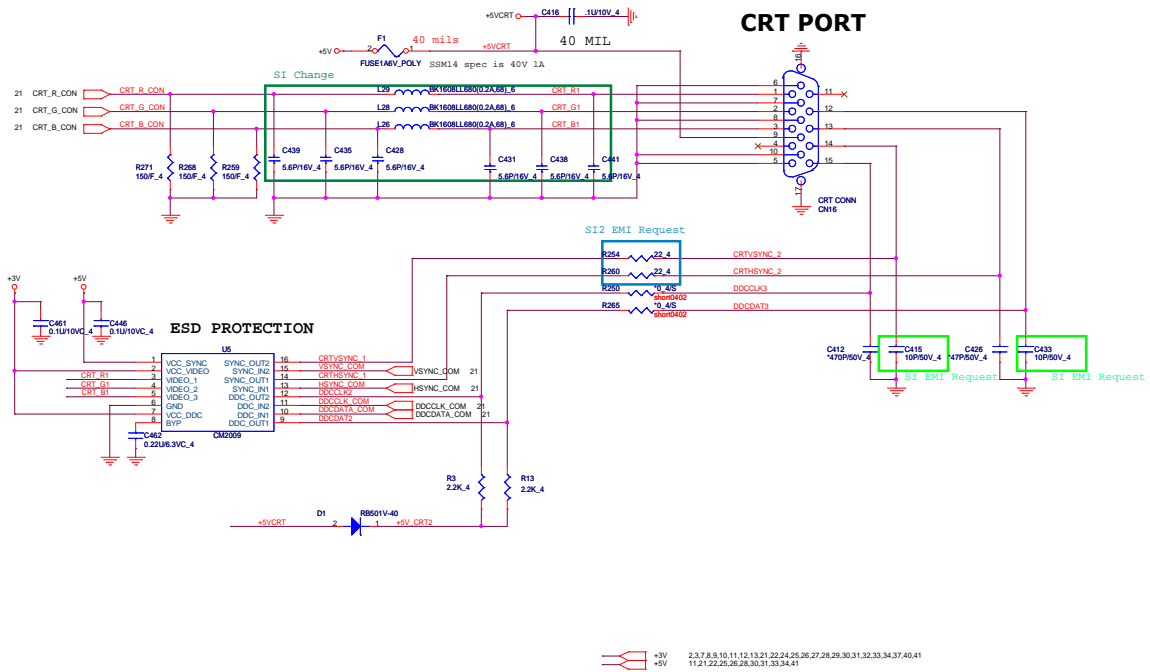
Rev 1A

Date: Tuesday, February 02, 2010 Sheet 21 of 44

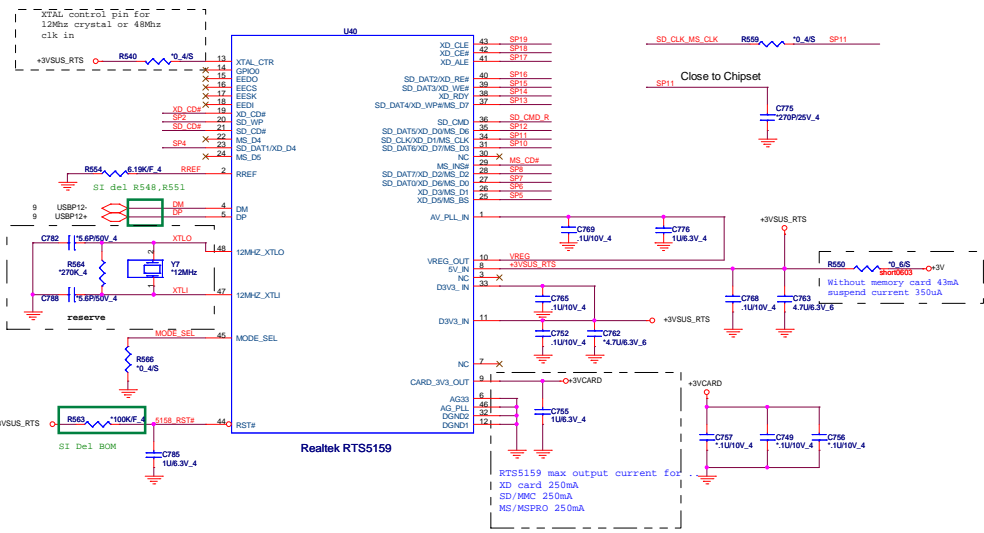


- 2,3,7,8,9,10,11,12,13,21,23,24,25,26,27,28,29,30,31,32,33,34,37,40,41 +3V
- 11,21,23,25,26,28,30,31,33,34,41 +5V
- 27,28,36,37,39,40,41,42,43 +VIN
- 7,28,32,33,34,35,36,39,41,42,43 +3VPCU
- 30,34,39,41 +12VALW

	PROJECT : LX6_LX7 Quanta Computer Inc.		Rev 1A
	Doc LCD_CONN/LID function	Date Tuesday, February 03, 2010	



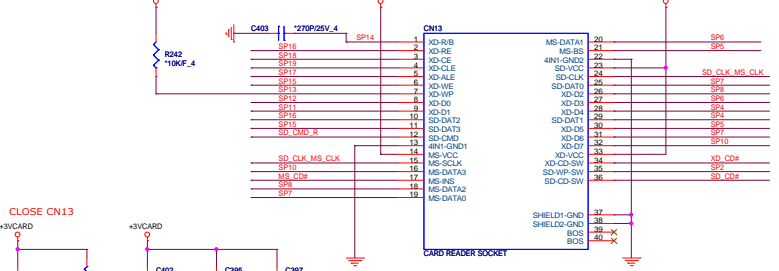
	PROJECT : LX6_LX7		
	Quanta Computer Inc.		
	Doc Number	CRT/HDMI Conn	Rev 1A
Date	Tuesday, February 03, 2010	Sheet 23	of 44



Note:

SP0	SD/MMC	MS	XD
SP1	SD_WP		XD_CMD
SP2	SD_CSB		XD_D0
SP3	SD_DATA1		XD_D4
SP4	SD_DATA2		XD_D8
SP5	MS_CS		XD_D0
SP6	MS_D0		XD_D4
SP7	SD_DATA0		XD_D8
SP8	SD_DATA7		XD_D12
SP9	SD_DATA6		XD_D11
SP10	SD_CLK		XD_D1
SP11	SD_DATA5		XD_D5
SP12	SD_DATA5		XD_D5
SP13	SD_DATA4		XD_WP
SP14	SD_DATA3		XD_WEP
SP15	SD_DATA2		XD_WEP
SP16	XD_CSB		XD_CSB
SP17	XD_ALE		XD_ALE
SP18	XD_CLE		XD_CLE

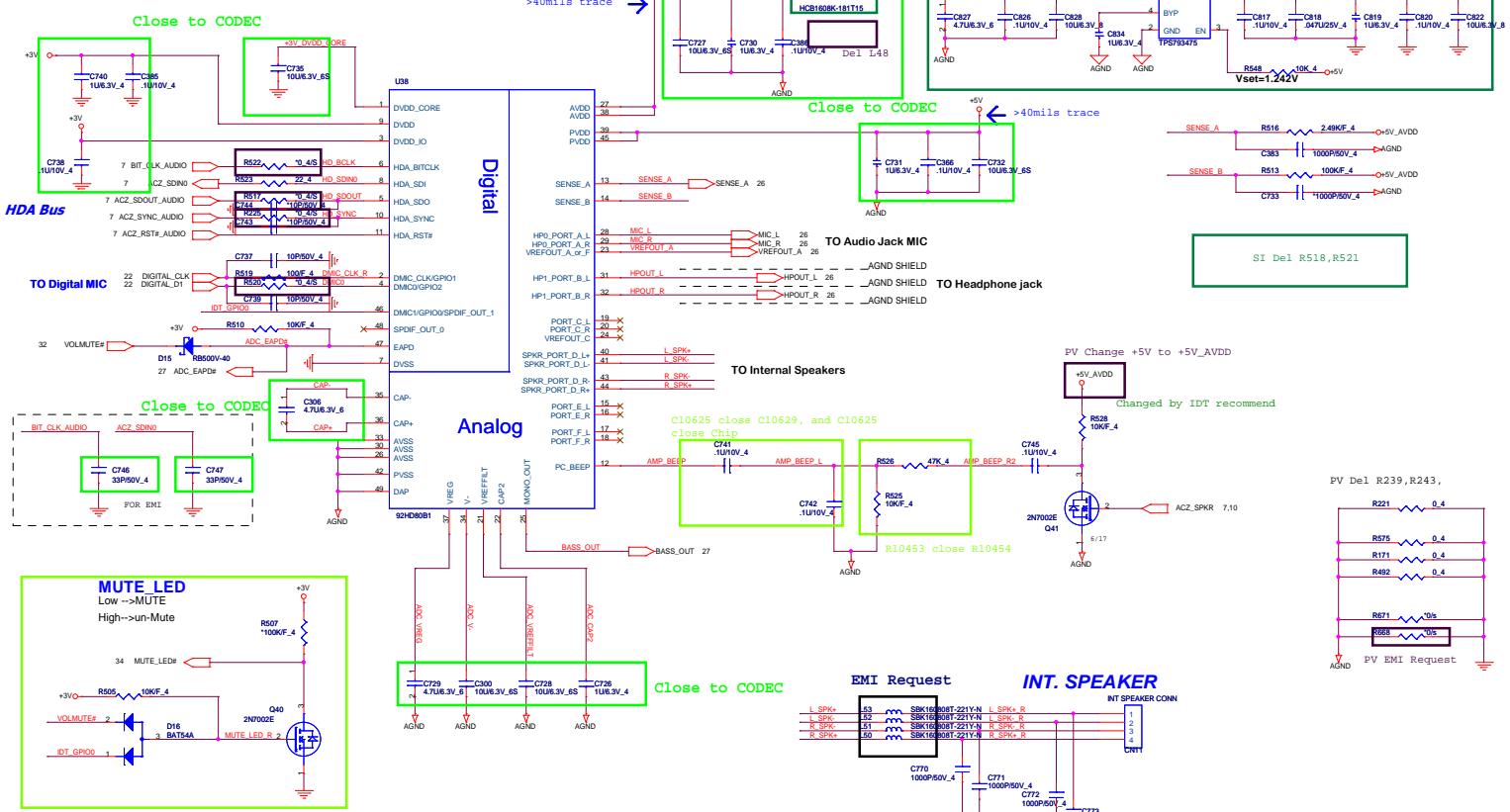
XD, MMC/SD, MS/MSP 5 IN1 CARD READER



PROJECT : LX6_LX7
Quanta Computer Inc.

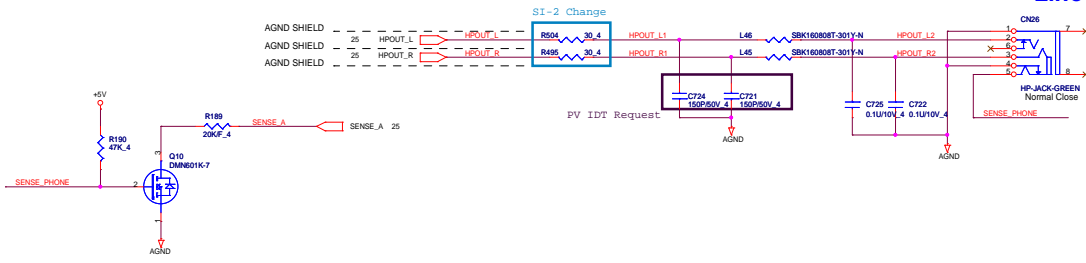
Site: NB5	Document Number: RTSS159 & CR SOCKET	Rev: 1A
Date: Tuesday, February 02, 2010	Sheet: 31	of 44

2,3,7,8,9,10,11,12,13,21,22,23,24,26,27,28,29,30,31,32,33,34,37,40,41
27 +4.75VAVDD
11,21,22,23,26,28,30,31,33,34,41 +5V

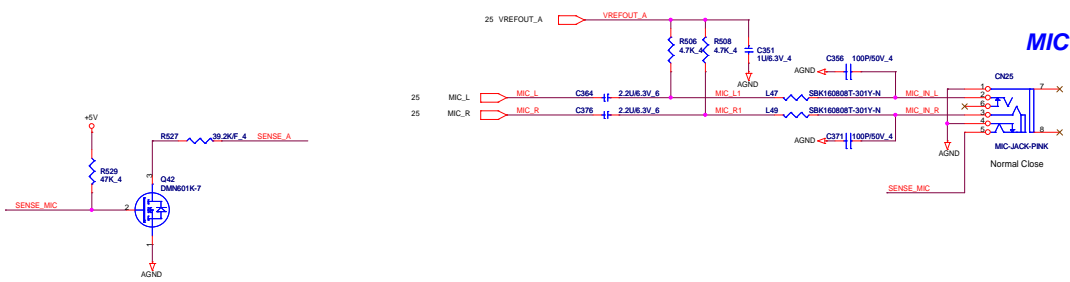


	PROJECT : LX6_LX7 Quanta Computer Inc.		Rev 2A
	Date: Tuesday, February 03, 2010	Document Number Azzalia 02410360	

Line out

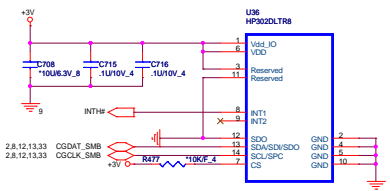


MIC



Accelerometer Sensor

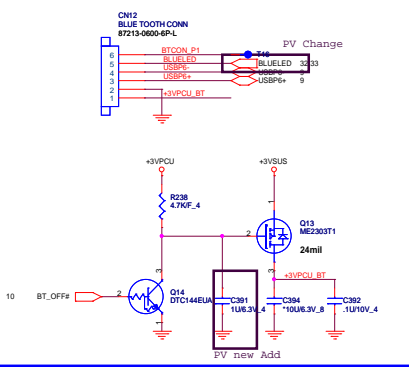
SOT-LI6302DLTR interrupt pin default is low / active Hi , BIOS need to programming 22h to change status from active Hi to low



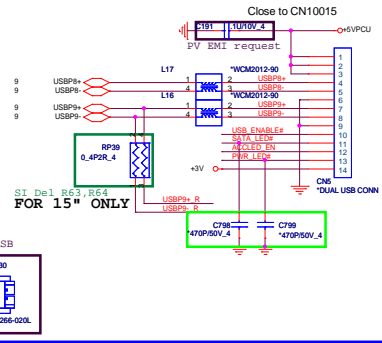
Pin 12: Low 38hex
Pin 12: unconnected/floating 3Ahex

	PROJECT : LX6_LX7 Quanta Computer Inc.		Rev 1A
	Doc: Tuesday, February 13, 2010 1:58:25	Document Number Audio Jack/Accelerometer	

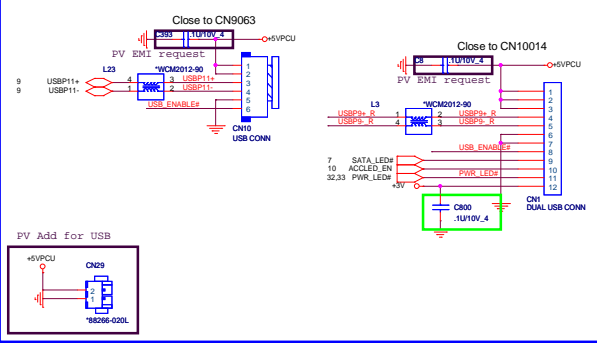
BLUETOOTH



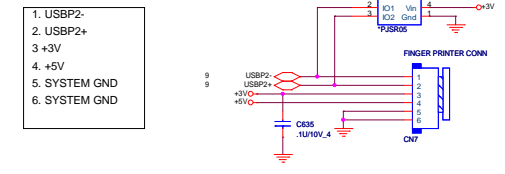
RIGHT SIDE USB2 for 17"



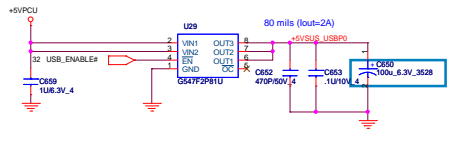
RIGHT SIDE USB for 15"



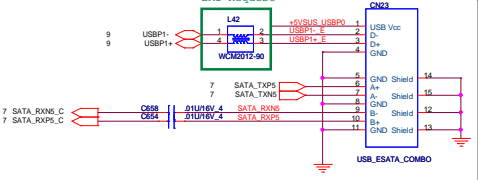
USB fingerprint CON



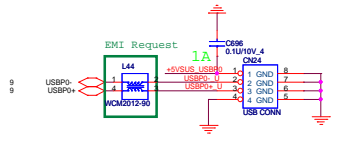
E-SATA



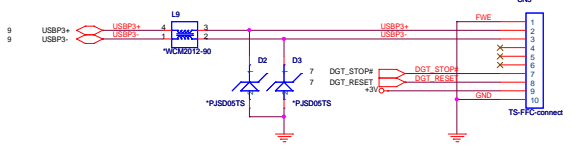
USB & ESATA



LEFT USB PORT



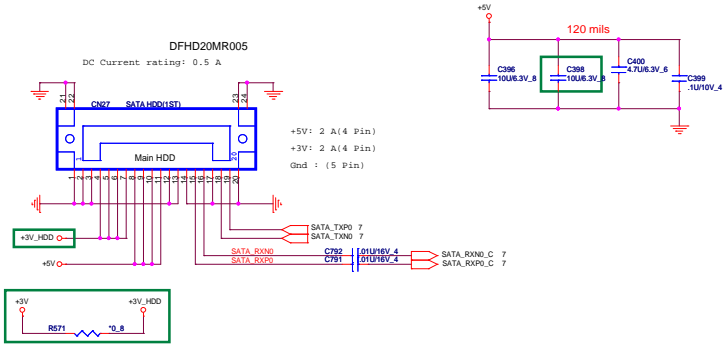
Touch screen for 15"



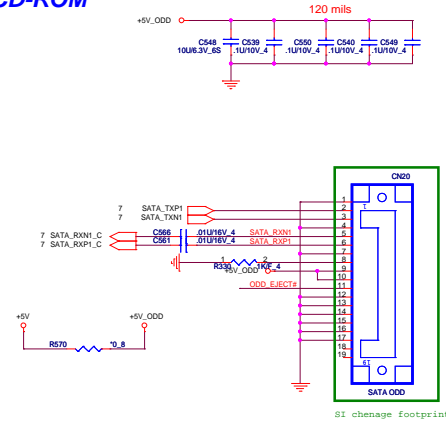
PROJECT : LX6_LX7
Quanta Computer Inc.

Site: Custom	Document Number: BT/WO/FIT/Touchscreen	Rev: 1A
Date: Tuesday, February 03, 2010	Sheet: 28	of 44

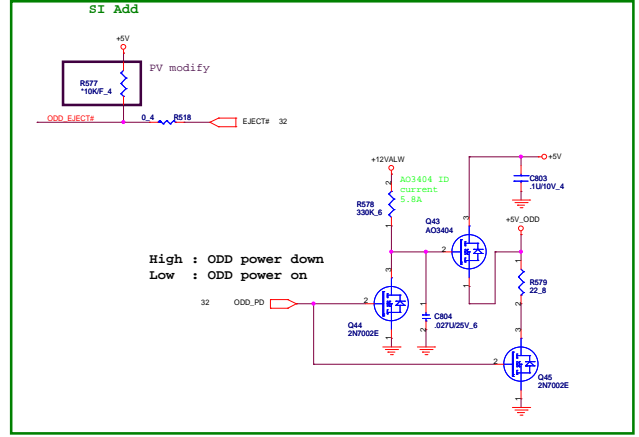
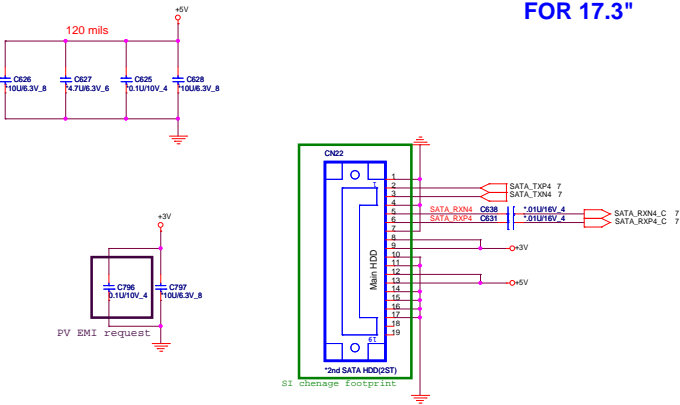
SATA HDD CONNECTOR



SATA CD-ROM



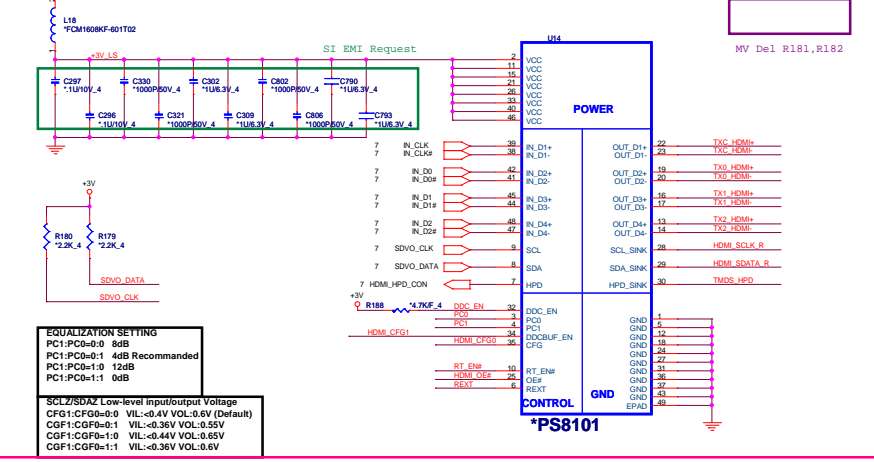
SATA_2 CONNECTOR FOR 17.3"



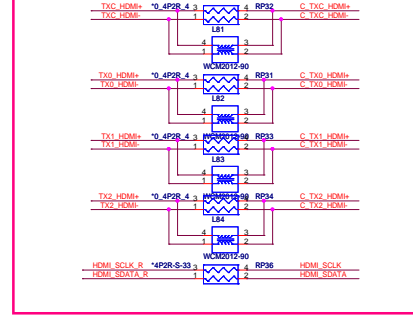
+3V 2,3,7,8,9,10,11,12,13,21,22,23,24,25,26,27,28,29,31,32,33,34,37,40,41
+5V 11,21,22,23,25,26,28,31,33,34,41
+12VALW 22,34,39,41

	PROJECT : LX6_LX7 Quanta Computer Inc.		
	SCS Custom	Document Number ODDHDD/ANT	Rev 1A
Date: Tuesday, February 03, 2010 1:58:00 PM		Sheet 30 of 44	

For UMA HDMI function for UMA



for UMA Close to HDMI(CN21) Connector



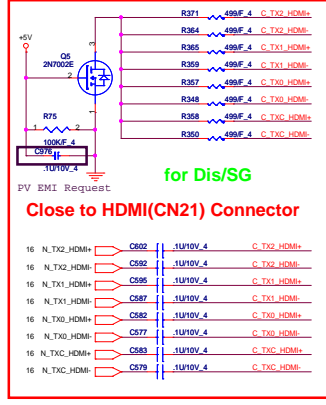
for SG/DIS Close to HDMI(CN21) Connector



Signals		PDT	CHR	PIM
PCI	Ra	NC	4.7K	NC
HDMI_CFG0	Rb	NC	NC	NC
HDMI_CFG1	Rc	4.7K	NC	NC
REXT	Rd	499	1.2K	4.7K
PCL	Re	NC	NC	4.7K
HDMI_OE#	Rf	NC	4.7K	NC
PC0	Rg	4.7K	4.7K	4.7K

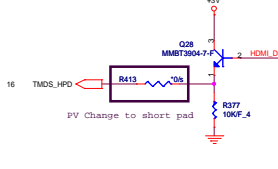
Vendor: PDT P/N: AL008101000
 Vendor: CHR P/N: AL007318002
 Vendor: PIM P/N: ALP411LS004

U14 for UMA



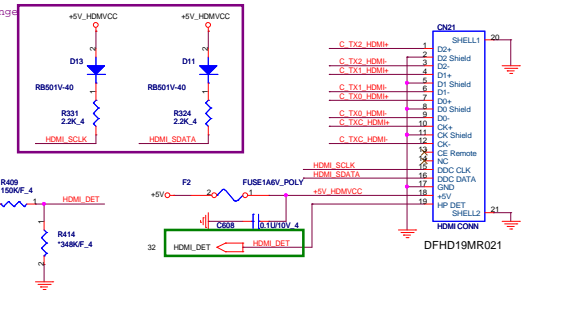
SI Del Q29, R378, R413, R415

MV Del R670, R669



PV Del R374, R368, R378 BOM

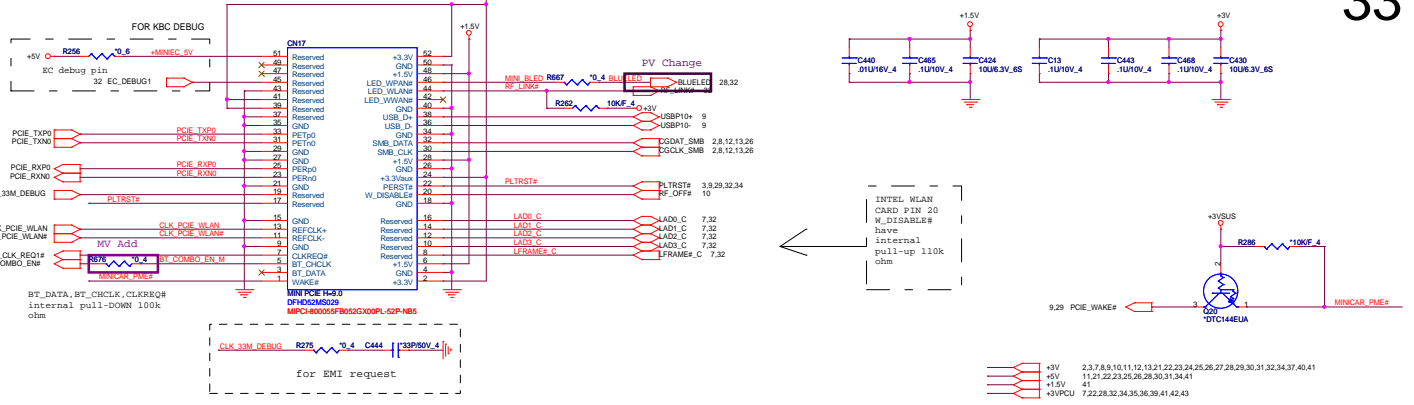
+5V	11,21,22,23,25,26,28,30,33,34,41
+3V	2,3,7,8,9,10,11,12,13,21,22,23,24,25,26,27,28,29,30,32,33,34,37,40,41
+3V_VGA	15,16,17,18,34,39



PROJECT : LX6_LX7
Quanta Computer Inc.

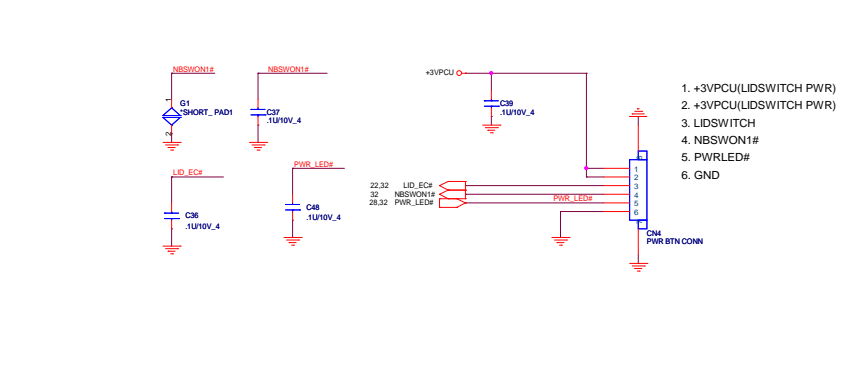
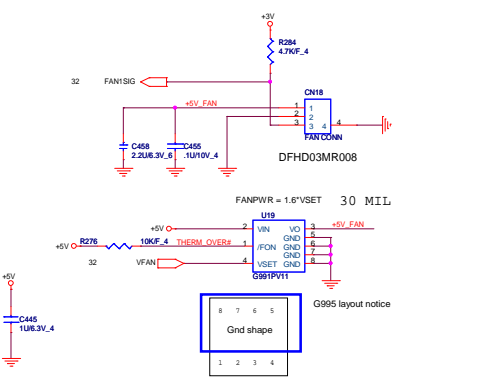
Doc: LX6_LX7_021
 Rev: 1A

Doc: LX6_LX7_021 | Sheet 31 of 44



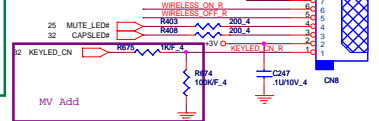
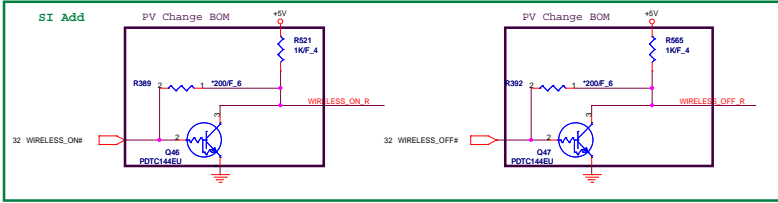
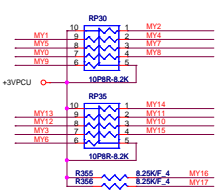
CPU FAN

POWER BUTTON CONNECT



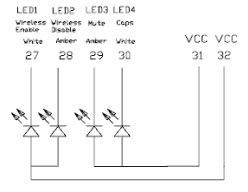
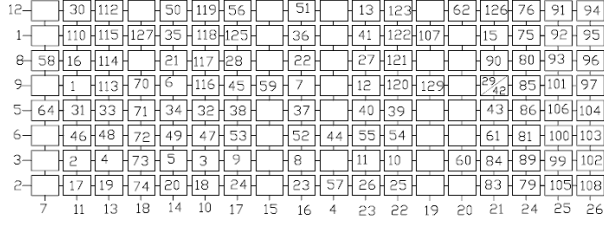
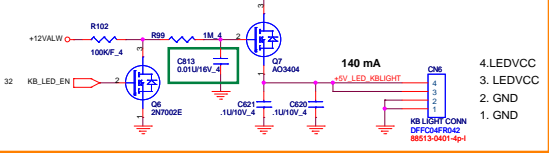
	PROJECT : LX6_LX7 Quanta Computer Inc.		Rev 1A	
	Doc Custom	Document Number MINI PCI-E CONN/FAN		Sheet 33 of 44
	Date Tuesday, February 13, 2010			

KEYBOARD PULL-UP

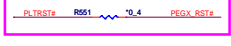


clear ABS 758 resin for key cap.
7 LEDs for 15.4" (total LED current 140mA)
11 LEDs for 17" (Total LED current 220mA)

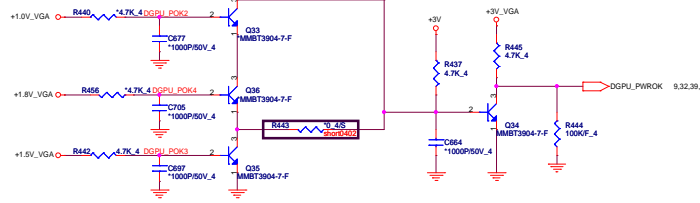
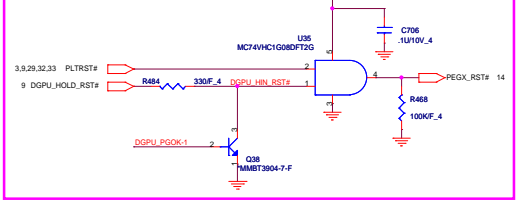
KB backlight for 15"



FOR DIS ONLY



FOR SG ONLY



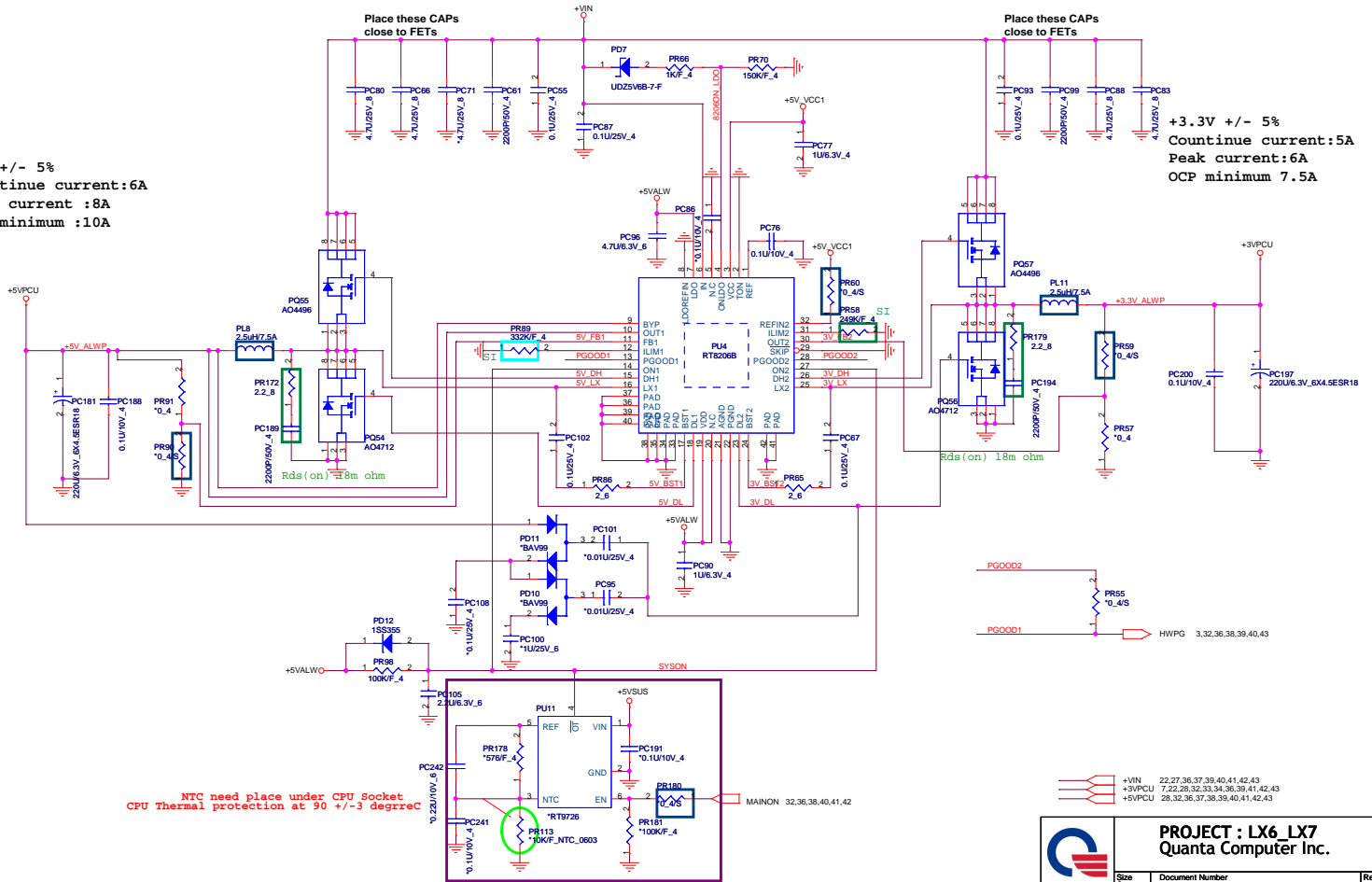
- +3V 2,3,7,8,9,10,11,12,13,21,22,23,24,25,26,27,28,29,30,31,32,33,37,40,41
- +5V 11,21,22,23,25,26,28,30,31,33,41
- +3VPCU 7,22,28,32,33,35,36,38,41,42,43
- +3V_VGA 15,16,17,18,31,39
- +12V_ALW 22,30,39,41
- +1.0V_VGA 14,16,18,40
- +1.5V_VGA 15,18,19,20,39
- +1.8V_VGA 14,16,18,39

PROJECT : LX6_LX7
Quanta Computer Inc.

Rev	1A
Doc No	KB
Doc Desc	February 02, 2010
Sheet	34 of 44

+5V +/- 5%
 Countinue current:6A
 Peak current :8A
 OCP minimum :10A

+3.3V +/- 5%
 Countinue current:5A
 Peak current:6A
 OCP minimum 7.5A



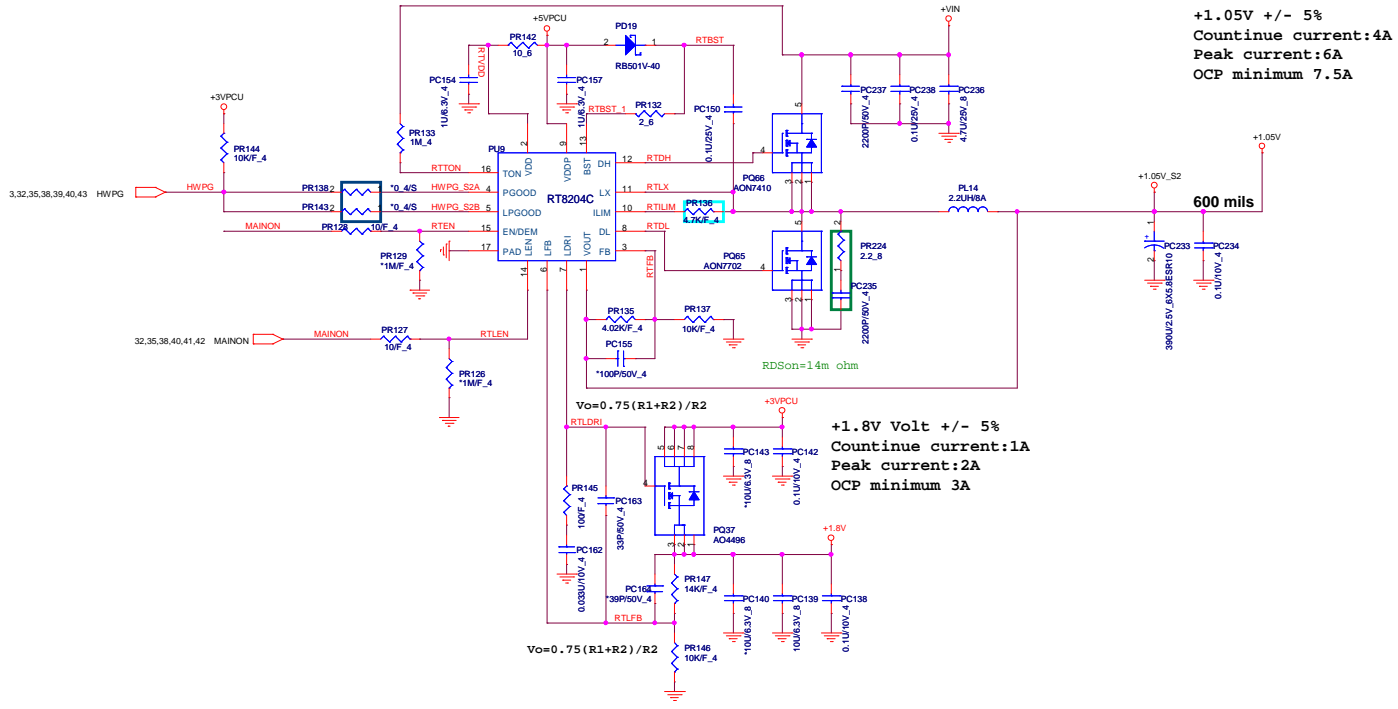
- +VIN 22,27,36,37,38,40,41,42,43
- +3VPCU 7,22,28,32,33,34,36,38,41,42,43
- +5VPCU 28,32,36,37,38,39,40,41,42,43

PROJECT : LX6_LX7
Quanta Computer Inc.

Size Custom	Document Number +5V/+3V (RT8206B)	Rev 1A
Date: Tuesday, February 02, 2010 Sheet 35 of 44		

NTC need place under CPU Socket
 CPU Thermal protection at 90 +/-3 degreeC

MV Change



+1.05V +/- 5%
Countinue current:4A
Peak current:6A
OCP minimum 7.5A

+1.8V Volt +/- 5%
Countinue current:1A
Peak current:2A
OCP minimum 3A

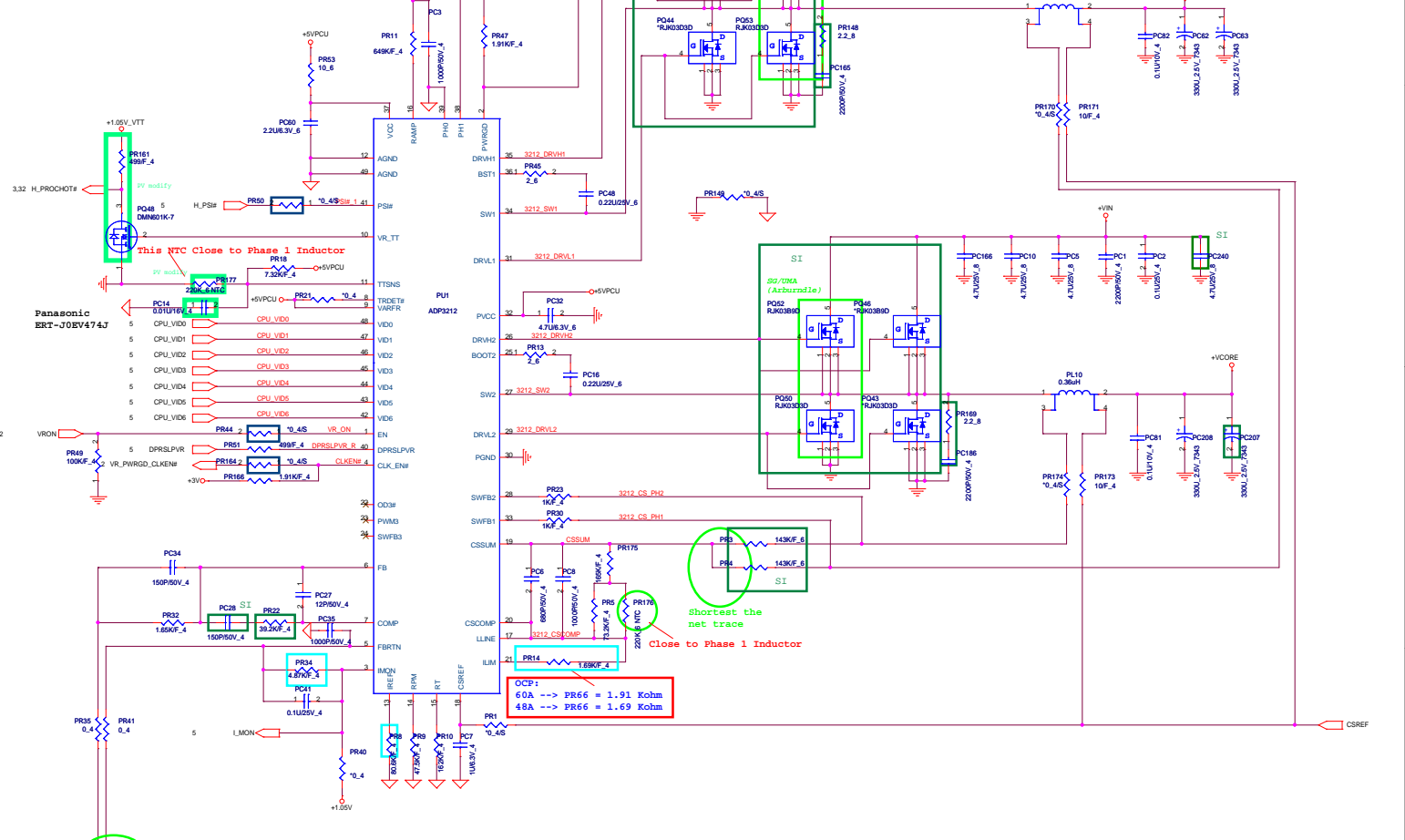
$V_o = 0.75(R1+R2) / R2$

$V_o = 0.75(R1+R2) / R2$

- +1.8V 5,10,11,21,41
- +VIN 22,27,35,37,39,40,41,42,43
- +1.05V 2,7,8,9,11,37,43
- +3VPCU 7,22,28,32,33,34,35,39,41,42,43
- +5VPCU 28,32,35,37,39,39,40,41,42,43

	PROJECT : LX6_LX7 Quanta Computer Inc.		Rev 1A
	Size Custom	Document Number +1.05V/+1.8V (RT8204C)	

	DIS (Clarksfield)	SG/UMA (Arburndle)
不上件	PQ45 PQ46 PQ43 PQ44	
PR14	1.91k(OCP=63A) (CS21912FB13)	1.69k(OCP=55A) (CS21692FB01)
PR34	4.7k (CS24702FB10)	4.87k (CS24872FB07)



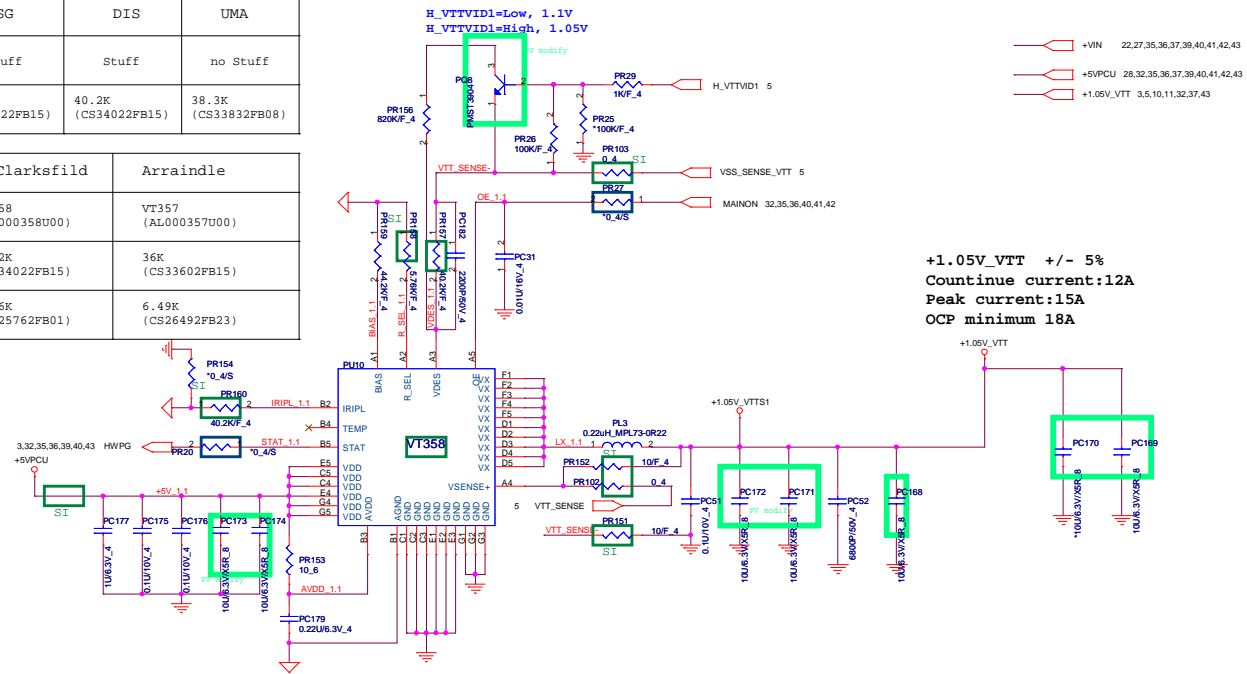
+VCORE
 Countinue current:24A
 Peak current:40A
 OCP minimum 48A

- +V 2,3,7,8,9,10,11,12,13,21,22,23,24,25,26,27,28,29,30,31,32,33,34,40,41
- +VIN 2,27,35,36,39,40,41,42,43
- +1.05V 2,7,8,9,11,36,43
- +VPCU 38,39,35,36,38,39,40,41,42,43
- +VCORE 5
- +1.05V_VTT 3,5,10,11,32,38,43

	PROJECT : LX6_LX7 Quanta Computer Inc.	
	Sea Custom Document Number CPU Core (ADP3212)	Rev 1A
Date: Tuesday, February 02, 2010 13:58		Sheet 37 of 44

	SG	DIS	UMA
PR156 PR26 PR29 PQ8	Stuff	Stuff	no Stuff
PR157	40.2K (CS34022FB15)	40.2K (CS34022FB15)	38.3K (CS33832FB08)

	Clarksfild	Arraindle
PU10	VT358 (AL000358U00)	VT357 (AL000357U00)
PR160	40.2K (CS34022FB15)	36K (CS33602FB15)
PR158	5.76K (CS25762FB01)	6.49K (CS26492FB23)

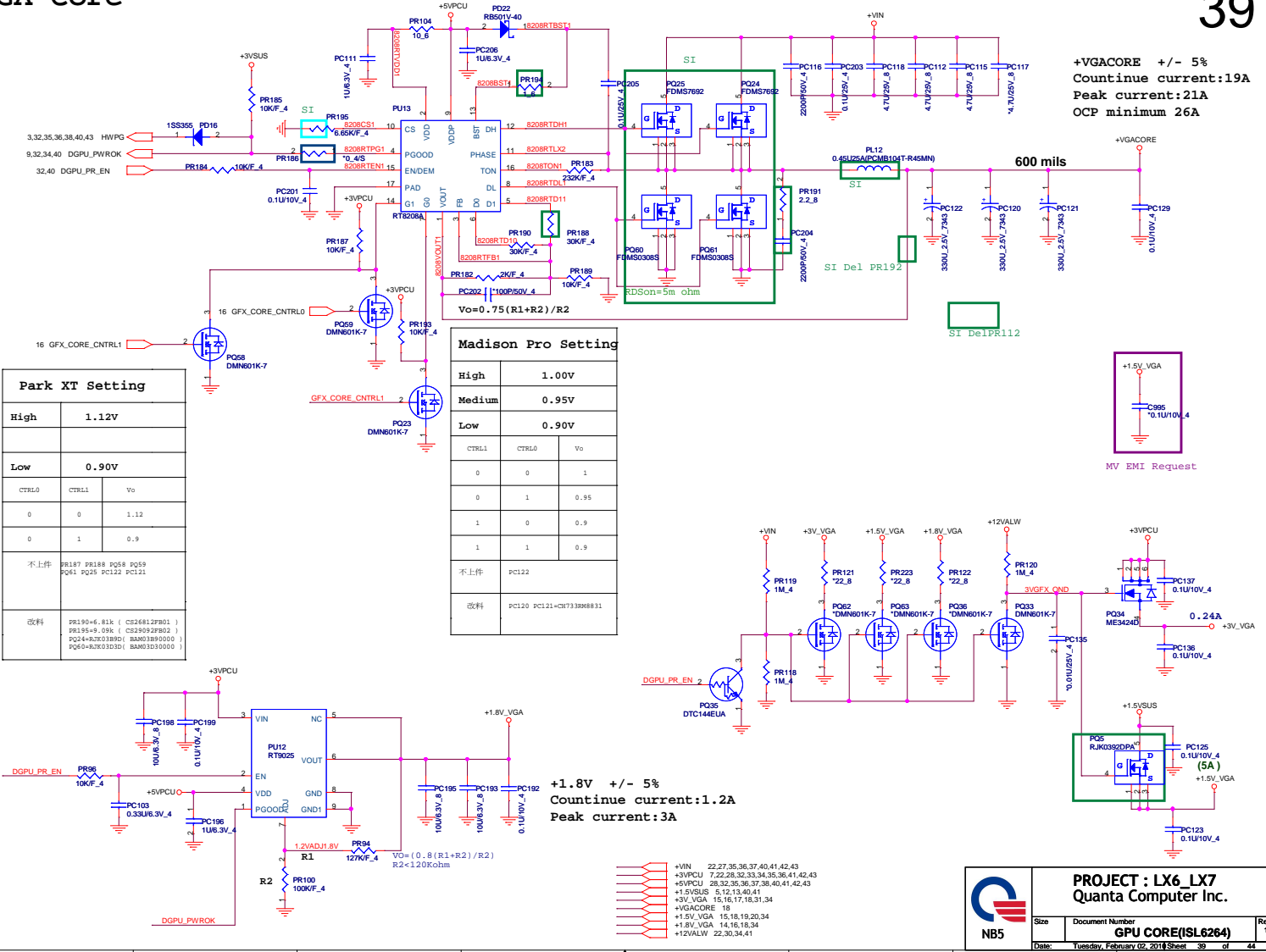


+1.05V_VTT +/- 5%
Countinue current:12A
Peak current:15A
OCP minimum 18A

	PROJECT : LX6_LX7		Rev 1A
	Quanta Computer Inc.		
	Size Custom	Document Number +1.05V_VTT (VT358)	
Date: Tuesday, February 02, 2010		Sheet 38 of 44	

VGA Core

+VGACORE +/- 5%
 Countinue current:19A
 Peak current:21A
 OCP minimum 26A

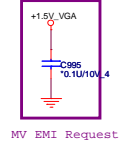


Park XT Setting

High	1.12V	
Low	0.90V	
CTRL0	CTRL1	Vo
0	0	1.12
0	1	0.9
不上件	PR187 PR188 PQ58 PQ59 PQ61 PQ25 PC122 PC121	
改料	PR190=4.81k (CS26812F801) PR191=9.09k (CS29092F802) PQ64=RTX03D3D(BAK03D30000) PQ60=RTX03D3D(BAK03D30000)	

Madison Pro Setting

High	1.00V	
Medium	0.95V	
Low	0.90V	
CTRL1	CTRL0	Vo
0	0	1
0	1	0.95
1	0	0.9
1	1	0.9
不上件	PC122	
改料	PC120 PC121=CH733R8831	



MV EMI Request

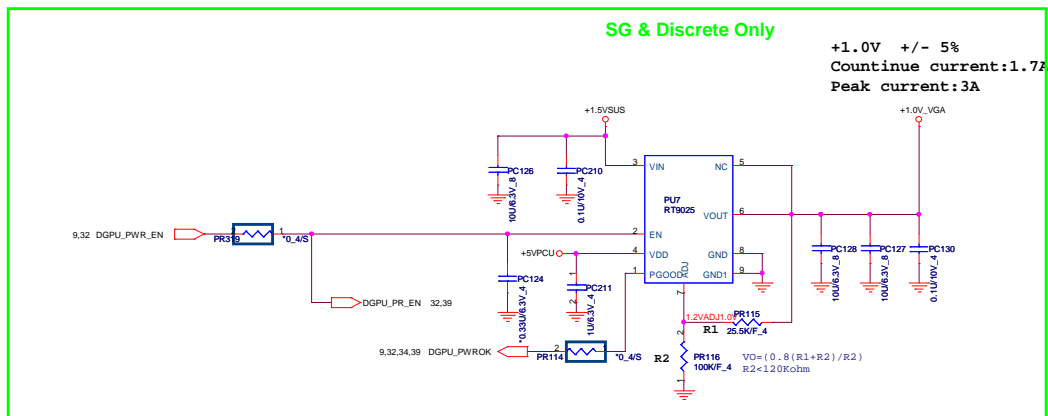
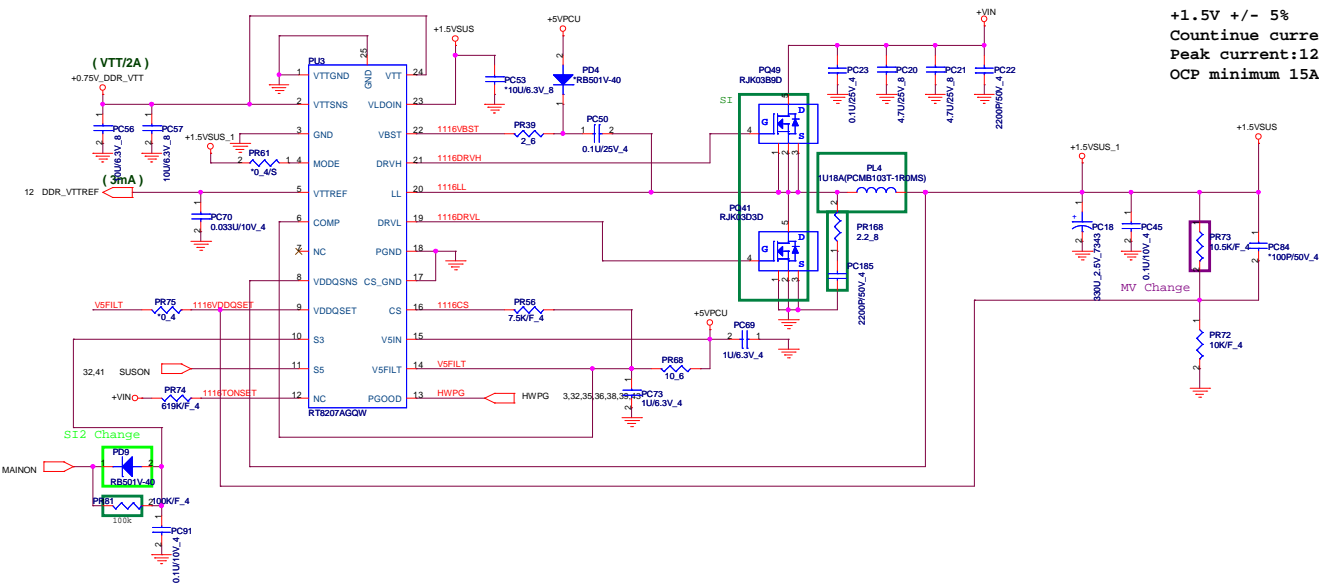
+1.8V +/- 5%
 Countinue current:1.2A
 Peak current:3A

- +VIN 22,27,35,36,37,40,41,42,43
- +3VPCU 7,22,28,32,33,34,35,36,41,42,43
- +5VPCU 26,32,35,36,37,38,40,41,42,43
- +1.5V_VGA 5,12,13,40,41
- +3V_VGA 15,16,17,18,31,34
- +VGACORE 18
- +1.5V_VGA 15,18,19,20,34
- +1.8V_VGA 14,16,18,34
- +12VALW 22,30,34,41

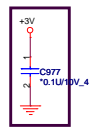
PROJECT : LX6_LX7
 Quanta Computer Inc.

Size	Document Number	Rev
	GPU CORE(ISL6264)	1A
Date:	Tuesday, February 02, 2011	Sheet 39 of 44

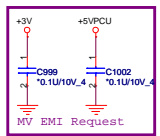
+1.5V +/- 5%
 Countine current:6A
 Peak current:12A
 OCP minimum 15A



+1.0V +/- 5%
 Countine current:1.7A
 Peak current:3A



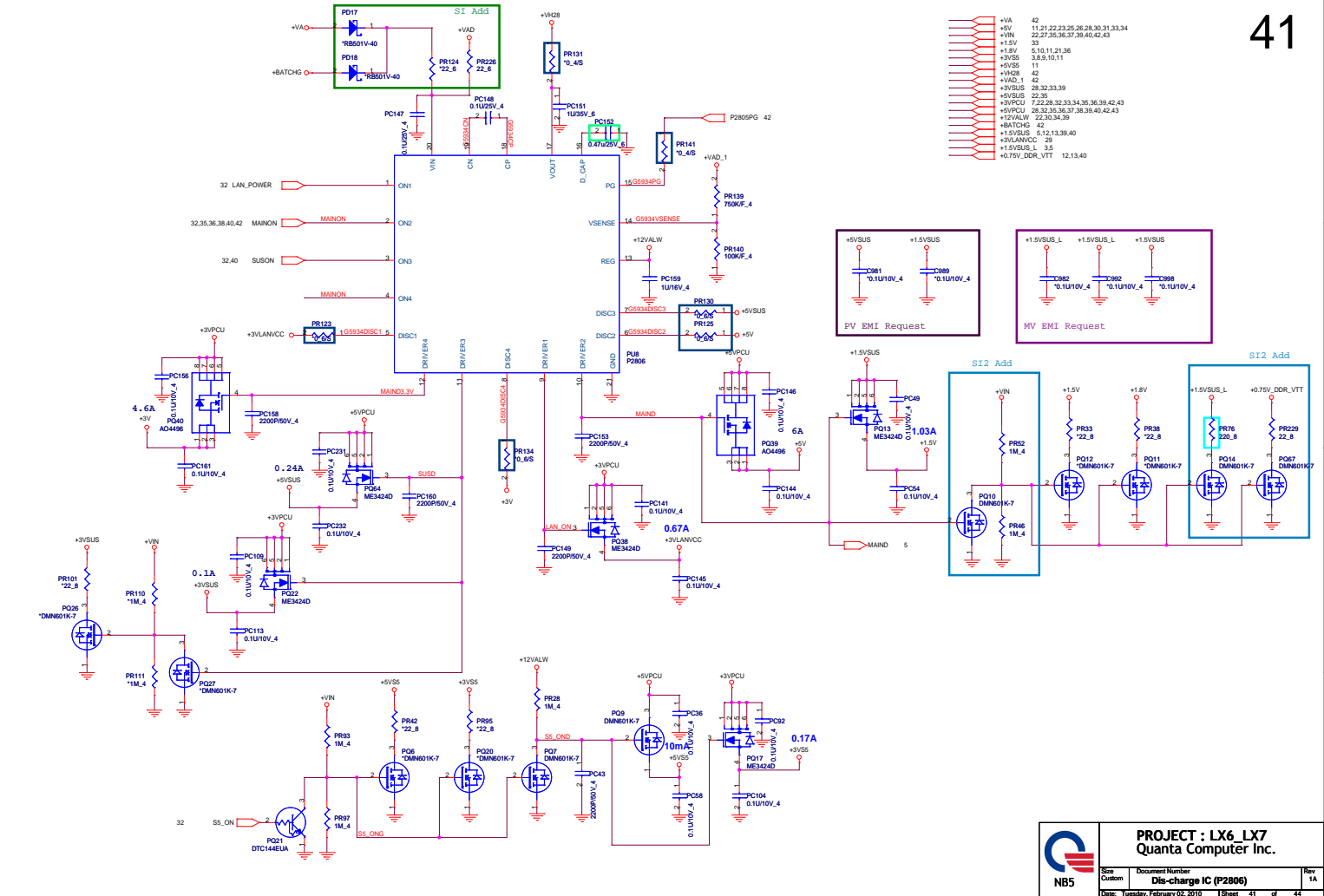
PV EMI Request



MV EMI Request

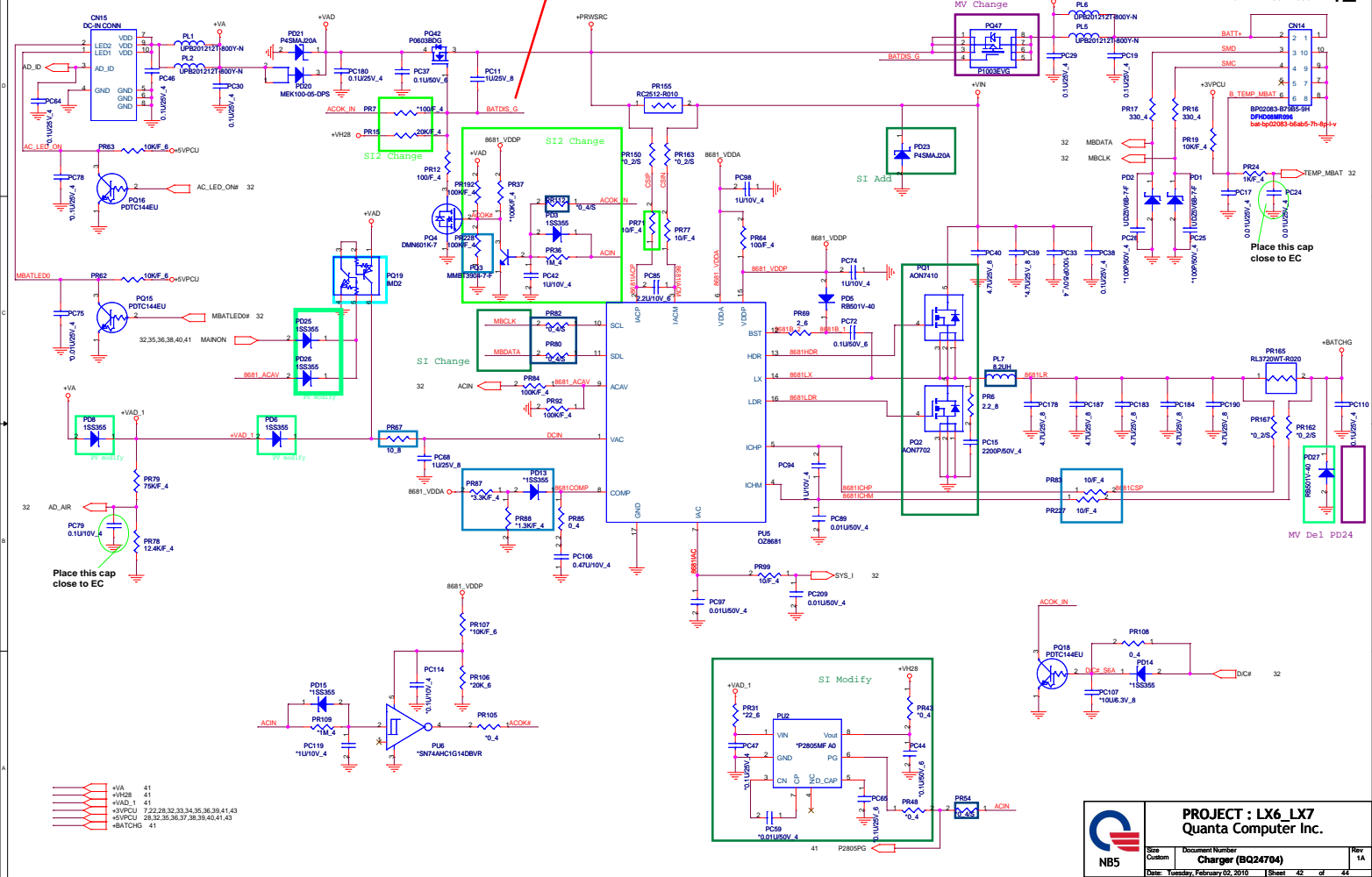
- +3V 2,3,7,8,9,10,11,12,13,21,22,23,24,25,26,27,28,29,30,31,32,33,34,37,41
- +VIN 22,27,35,36,37,39,41,42,43
- +5VPCU 28,32,35,36,37,39,39,41,42,43
- +1.5VSUS 5,12,13,39,41
- +1.0V_VGA 14,16,18,34
- +0.75V_DDR_VTT 12,13,41

	PROJECT : LX6_LX7 Quanta Computer Inc.		Rev 1A	
	Size Custom	Document Number DDR3 (RT8207)		Date: Tuesday, February 02, 2010
	Sheet 40 of 44			



	PROJECT : LX6_LX7		
	Quanta Computer Inc.		
	Doc: Custom	Document Number: Dis-charge IC (P2806)	Rev: 1A
Date: Tuesday, February 13, 2010		Sheet: 41 of 44	

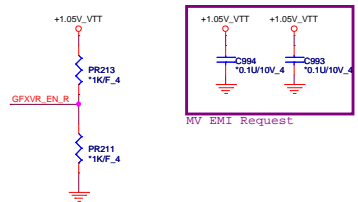
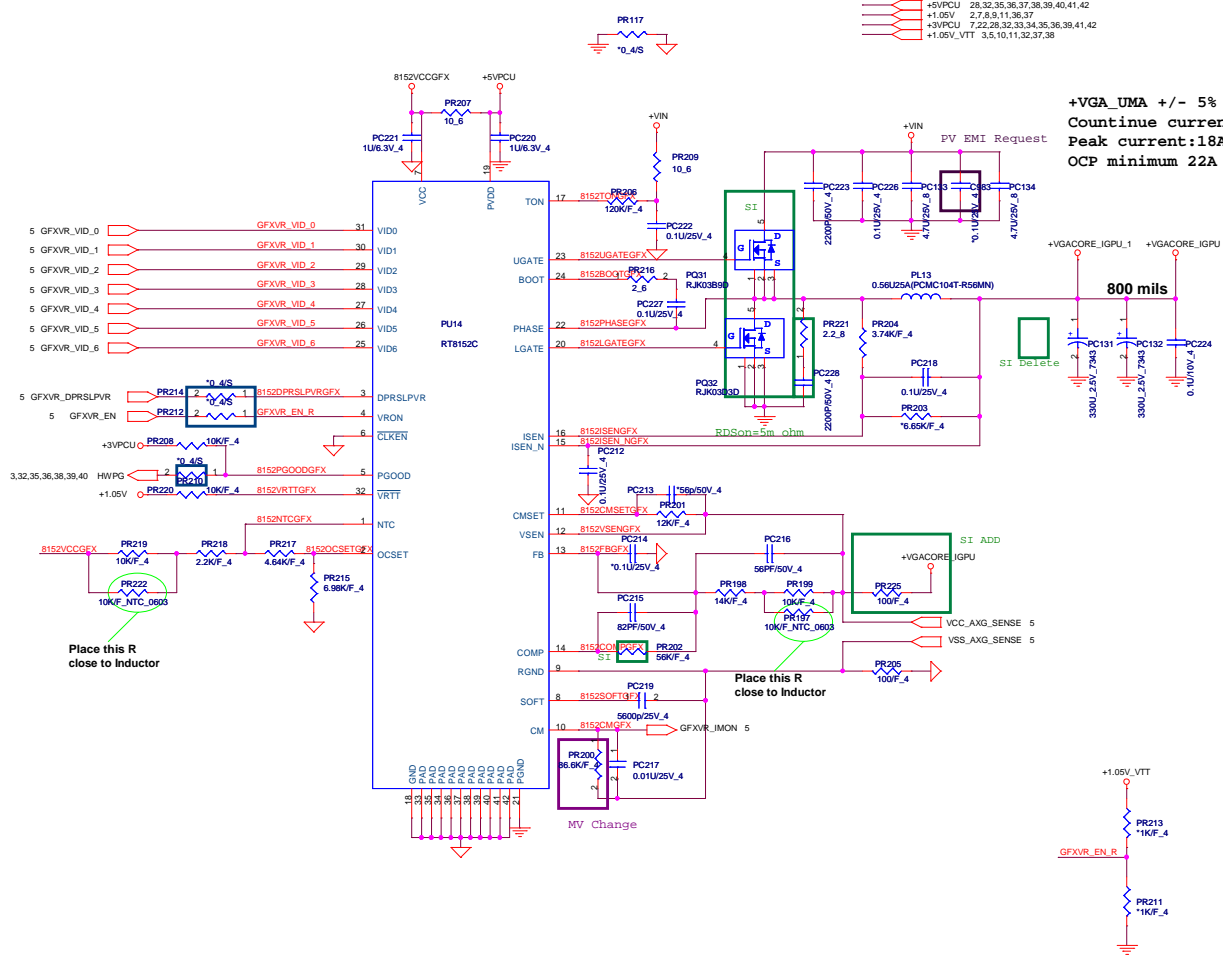
Do Not add test pad on BATDIS_G signal



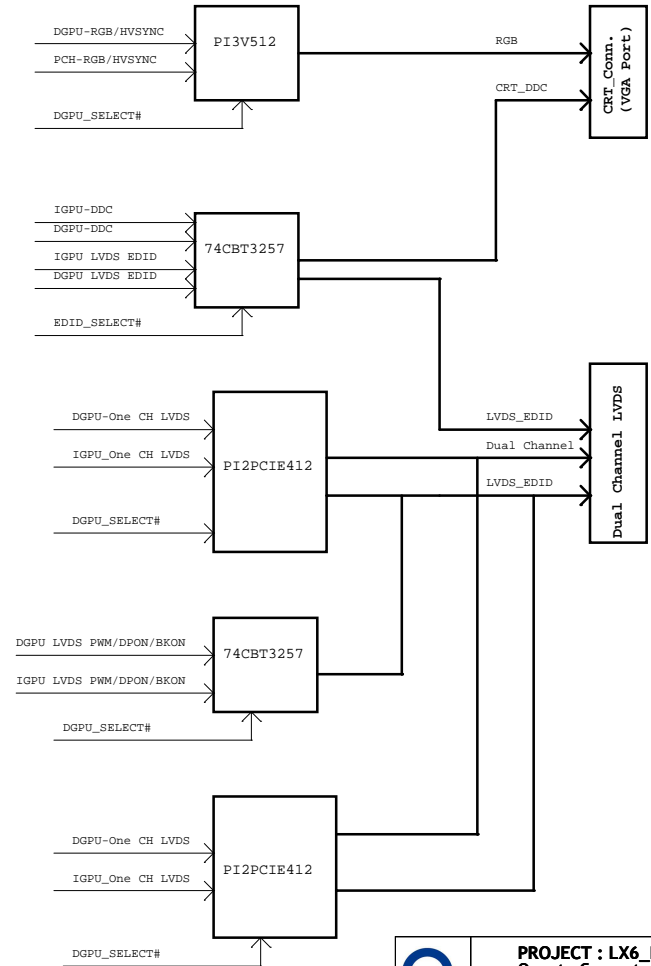
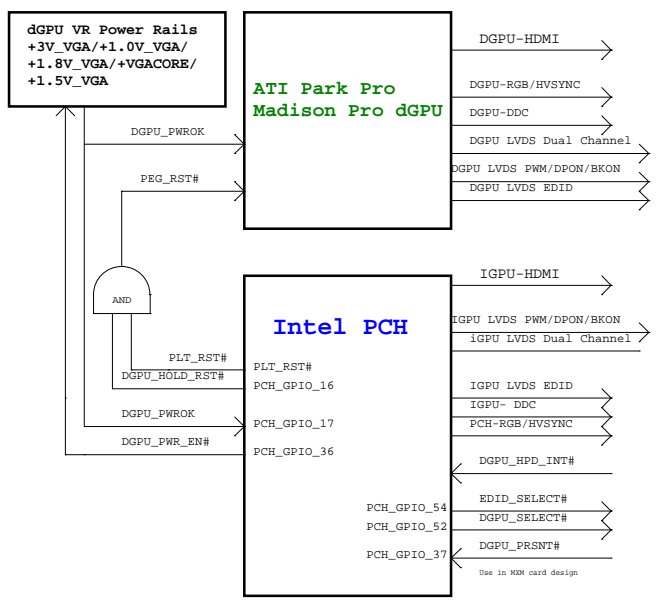
	PROJECT : LX6 LX7		Rev 1A
	Quanta Computer Inc.		
Size Custom	Document Number Charger (BQ24704)	Date: Tuesday, February 05, 2010 15:28:42 of 44	

+VGACORE_IGPU	5
+VIN	22,27,35,36,37,39,40,41,42
+5VPCU	28,32,35,36,37,39,39,40,41,42
+1.05V	2,7,8,8,11,36,37
+3VPCU	7,22,28,32,33,34,35,36,39,41,42
+1.05V_VTT	5,5,10,11,32,37,38

+VGA_UMA +/- 5%
Countinue current:12A
Peak current:18A
OCp minimum 22A



	PROJECT : LX6_LX7 Quanta Computer Inc.		Date: Tuesday, February 02, 2010 Sheet 43 of 44
	Size Custom	Document Number UMA GPU CORE (RT8152C)	



Switchable GPIOs	Descriptions
PCH_GPIO52	DGPU_SELECT#
PCH_GPIO16	DGPU_HOLD_RST#
PCH_GPIO36	DGPU_PWR_EN#
PCH_GPIO17	DGPU_PWR_OK
PCH_GPIO54	EDID_ELECT#
PCH_GPIO37	DGPU_PRSENT#

PROJECT : LX6_LX7
Quanta Computer Inc.

Size Custom	Document Number Switch Blockdiagram	Rev 1A
Date: Tuesday, February 02, 2010	Sheet	44 of 44